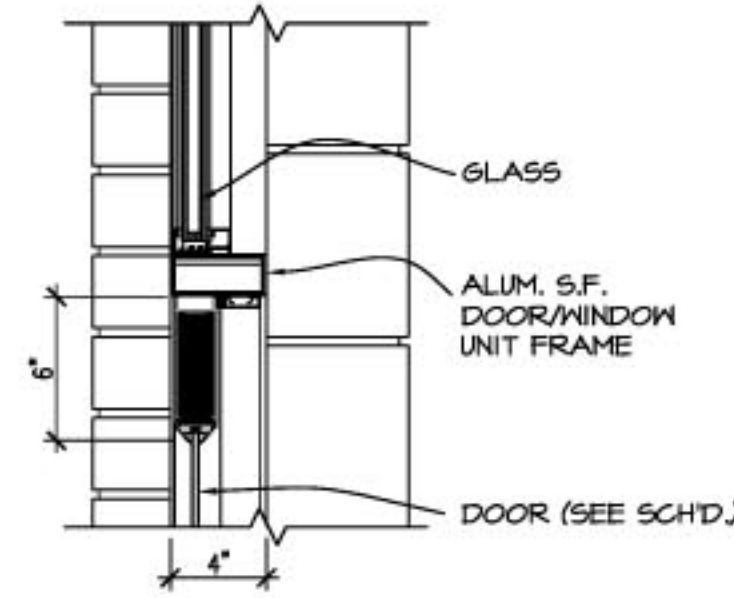
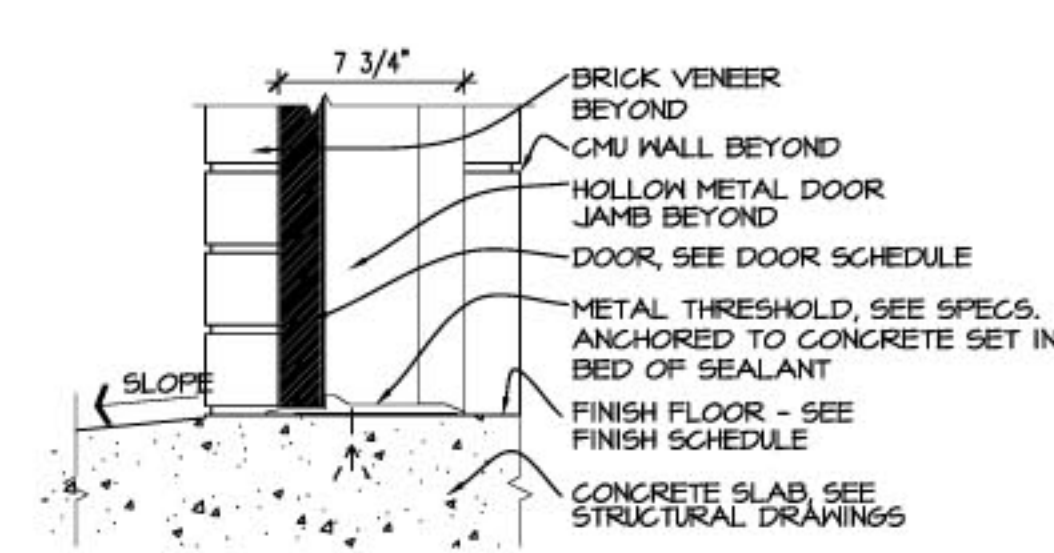


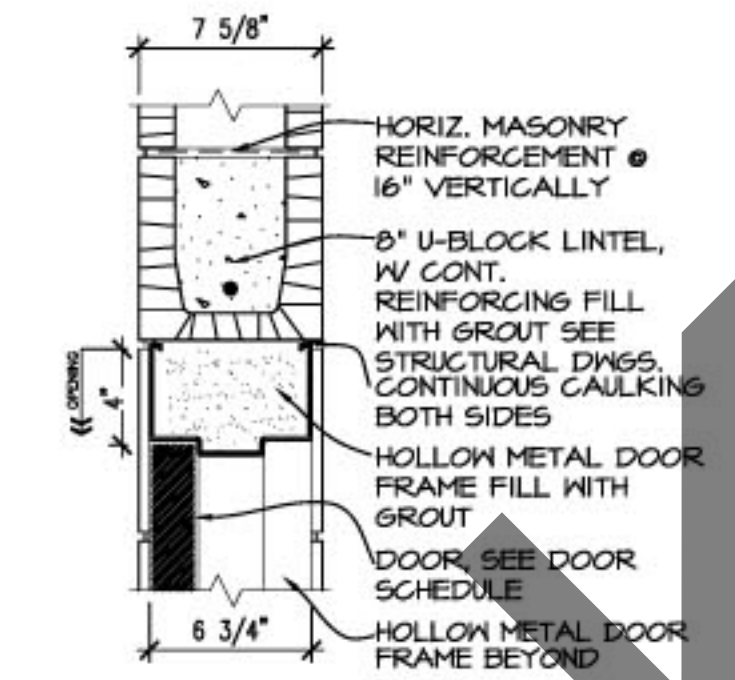
1 WINDOW HEAD DETAIL
 A8.2.1 SCALE: 1 1/2" = 1'-0"



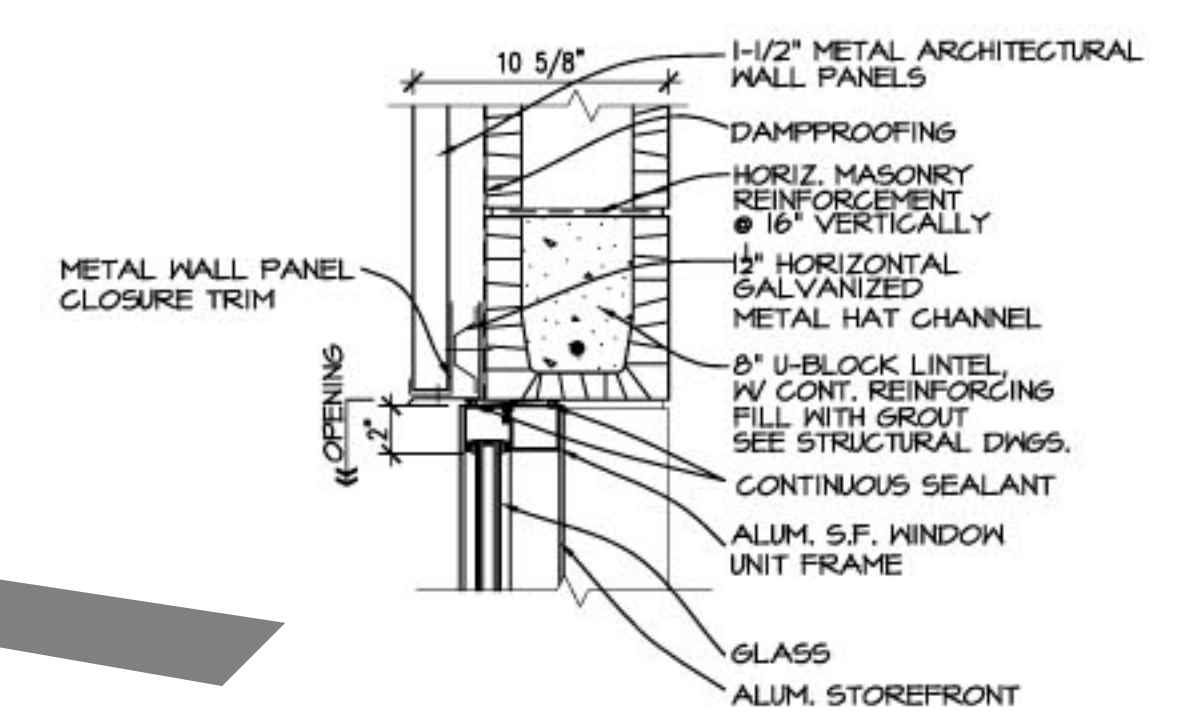
5 DOOR HEAD/TRANSOM DETAIL
 A8.2.1 SCALE: 1 1/2" = 1'-0"



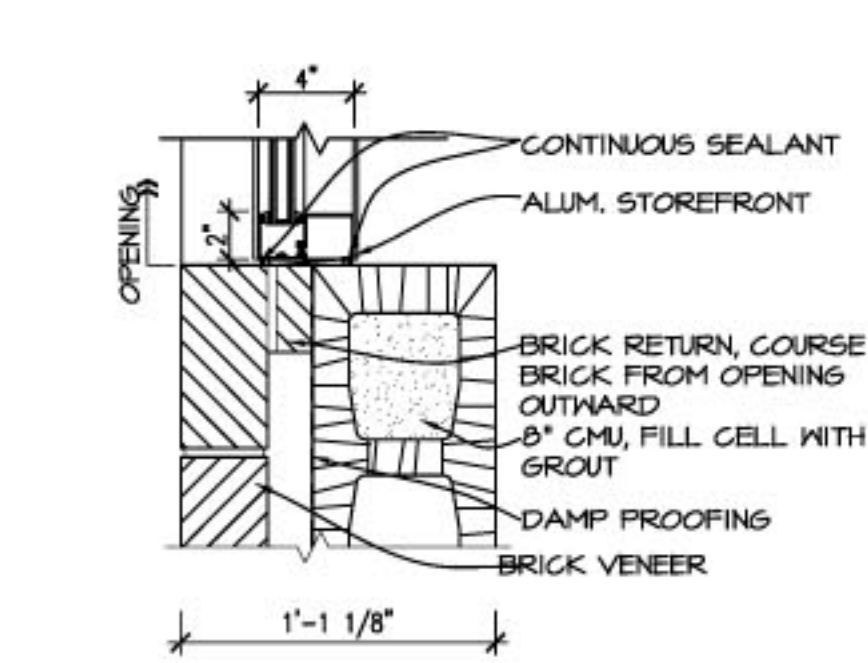
9 DOOR SILL DETAIL
 A8.2.1 SCALE: 1 1/2" = 1'-0"



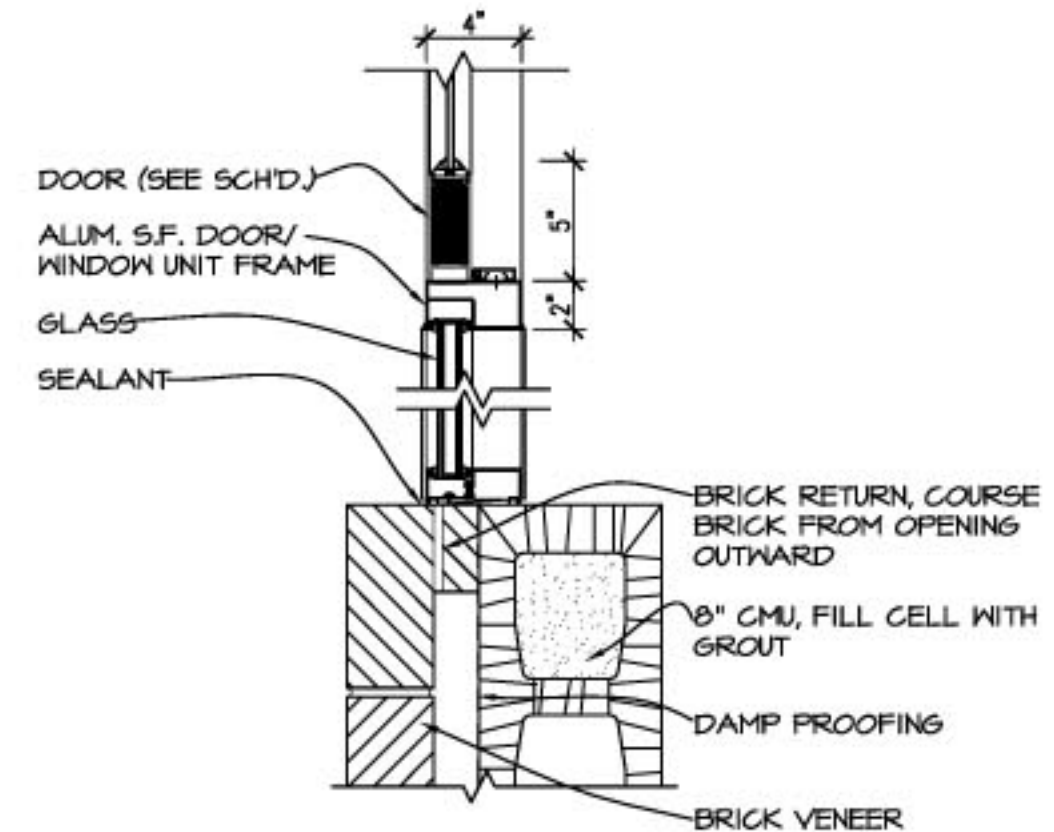
13 DOOR HEAD DETAIL
 A8.2.1 SCALE: 1 1/2" = 1'-0"



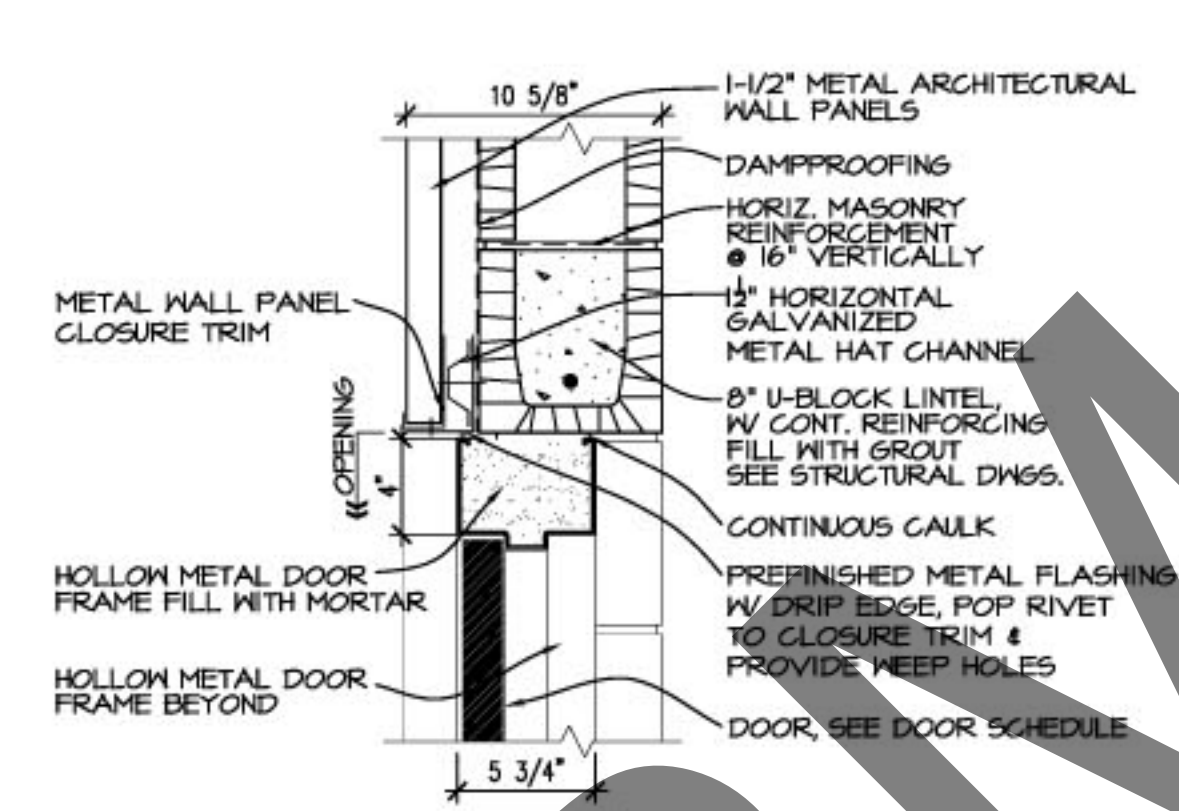
17 WINDOW HEAD DETAIL
 A8.2.1 SCALE: 1 1/2" = 1'-0"



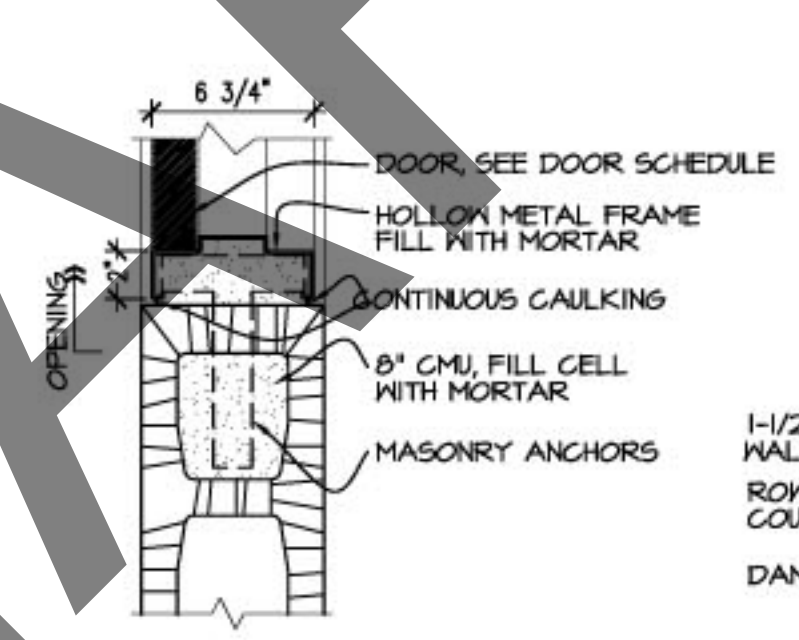
2 WINDOW JAMB DETAIL
 A8.2.1 SCALE: 1 1/2" = 1'-0"



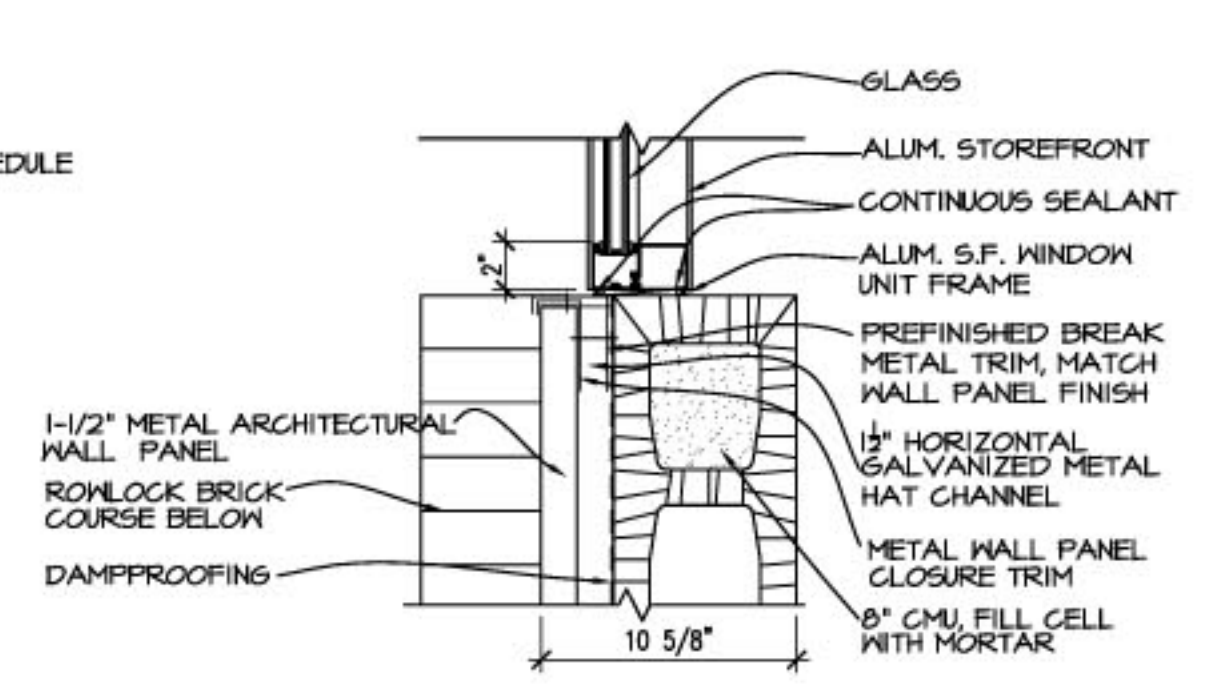
6 DOOR JAMB/SIDELITE DETAIL
 A8.2.1 SCALE: 1 1/2" = 1'-0"



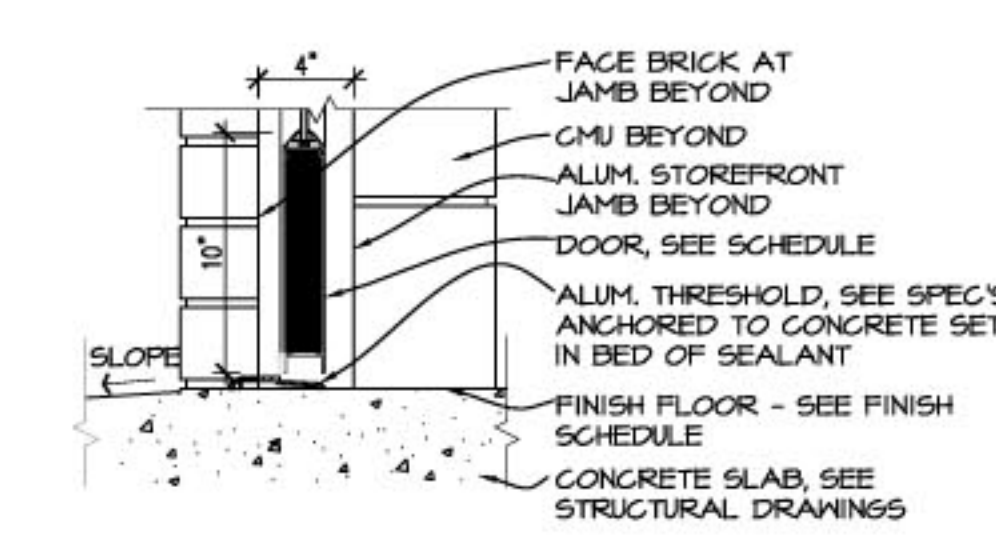
10 DOOR HEAD DETAIL
 A8.2.1 SCALE: 1 1/2" = 1'-0"



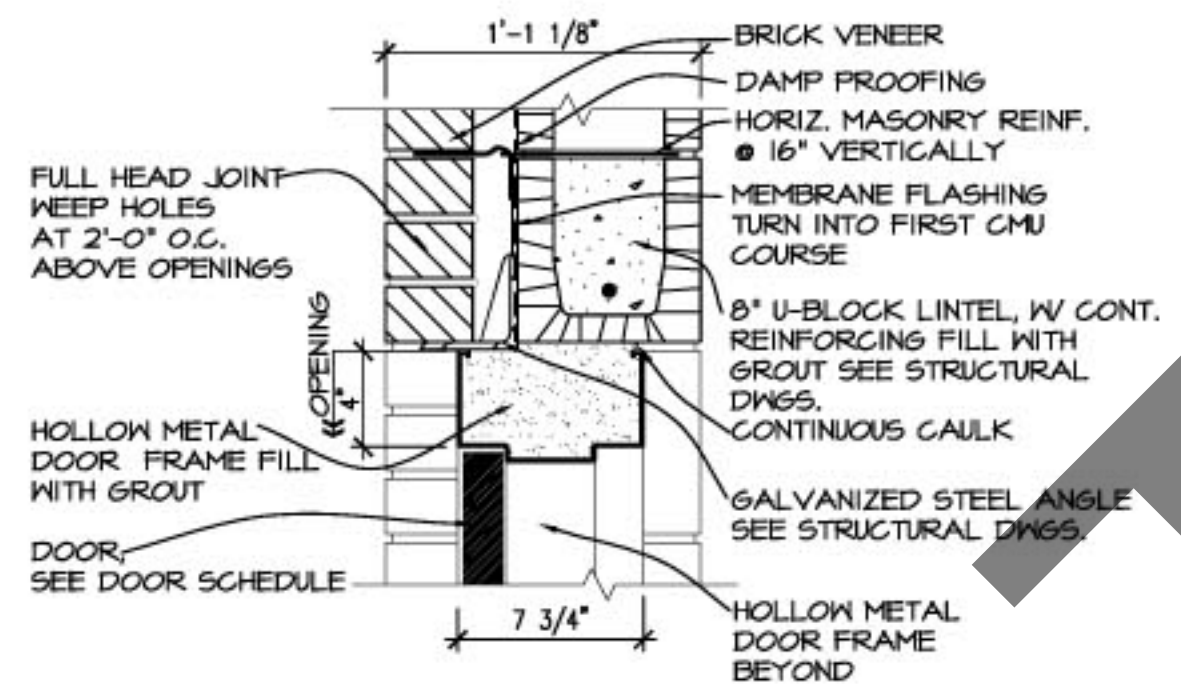
14 DOOR JAMB DETAIL
 A8.2.1 SCALE: 1 1/2" = 1'-0"



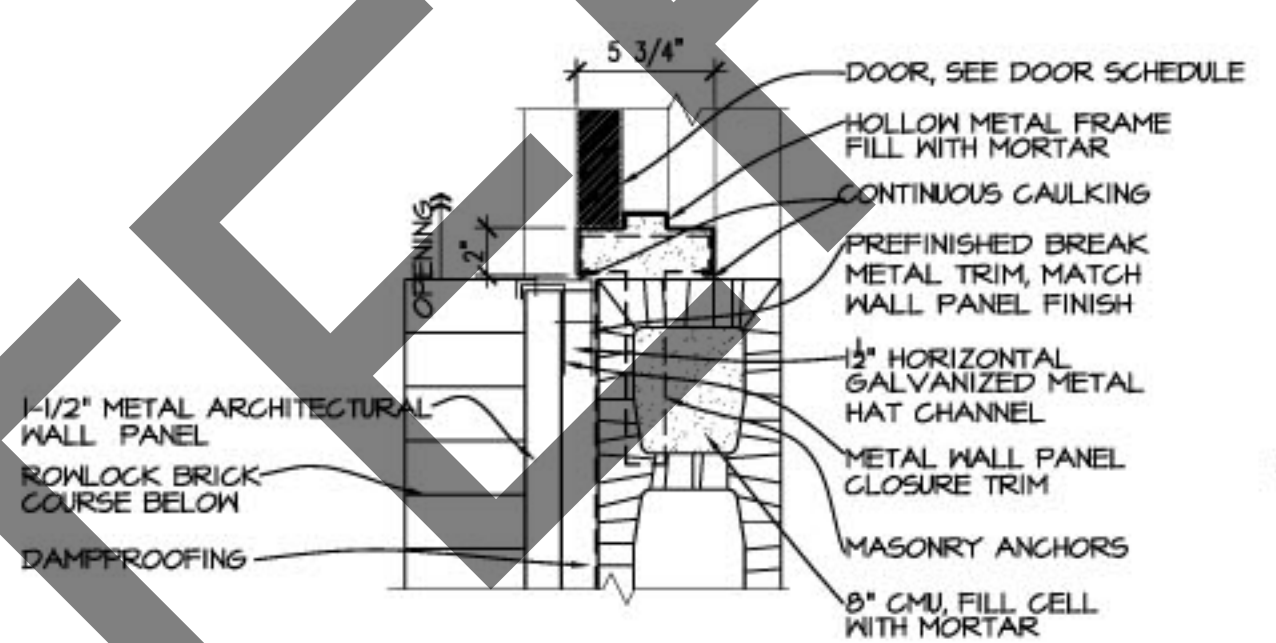
18 WINDOW JAMB DETAIL
 A8.2.1 SCALE: 1 1/2" = 1'-0"



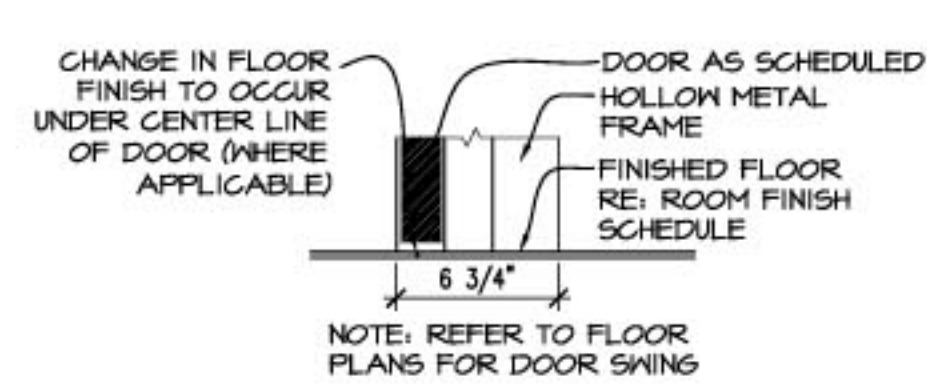
3 DOOR SILL DETAIL
 A8.2.1 SCALE: 1 1/2" = 1'-0"



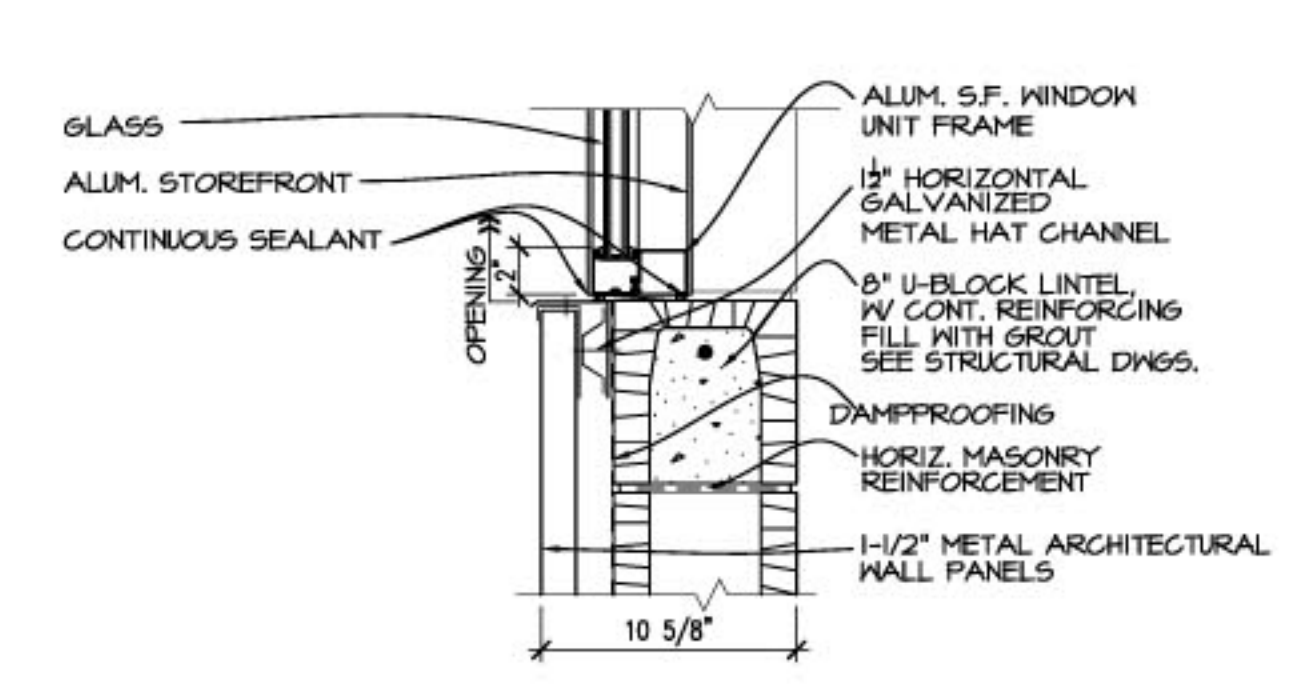
7 DOOR HEAD DETAIL
 A8.2.1 SCALE: 1 1/2" = 1'-0"



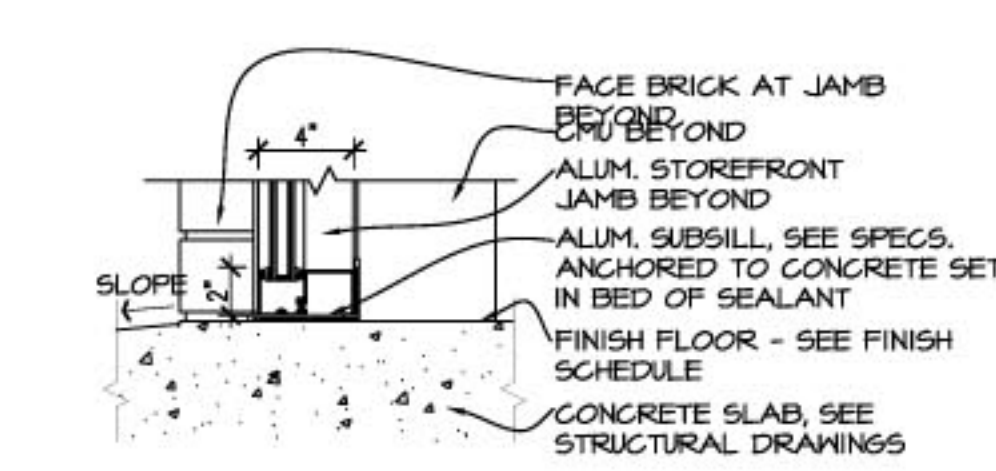
11 DOOR JAMB DETAIL
 A8.2.1 SCALE: 1 1/2" = 1'-0"



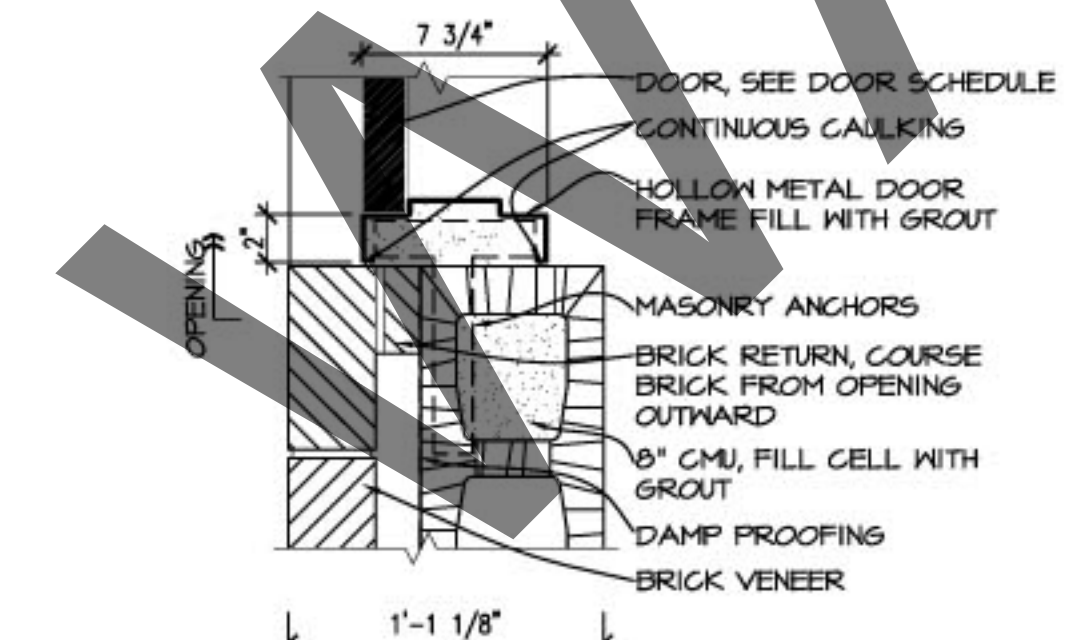
15 DOOR SILL DETAIL
 A8.2.1 SCALE: 1 1/2" = 1'-0"



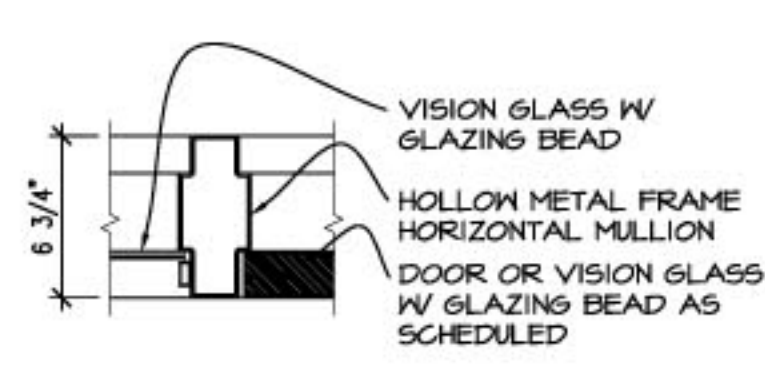
19 WINDOW SILL DETAIL
 A8.2.1 SCALE: 1 1/2" = 1'-0"



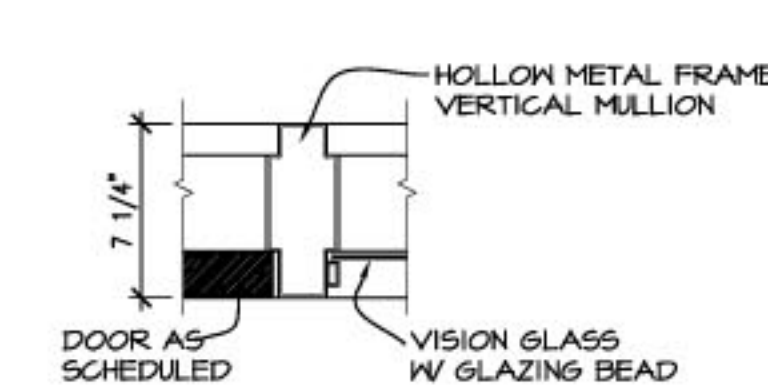
4 WINDOW SILL DETAIL
 A8.2.1 SCALE: 1 1/2" = 1'-0"



8 DOOR JAMB DETAIL
 A8.2.1 SCALE: 1 1/2" = 1'-0"



12 JAMB DETAIL
 A8.2.1 SCALE: 1 1/2" = 1'-0"



16 JAMB DETAIL
 A8.2.1 SCALE: 1 1/2" = 1'-0"