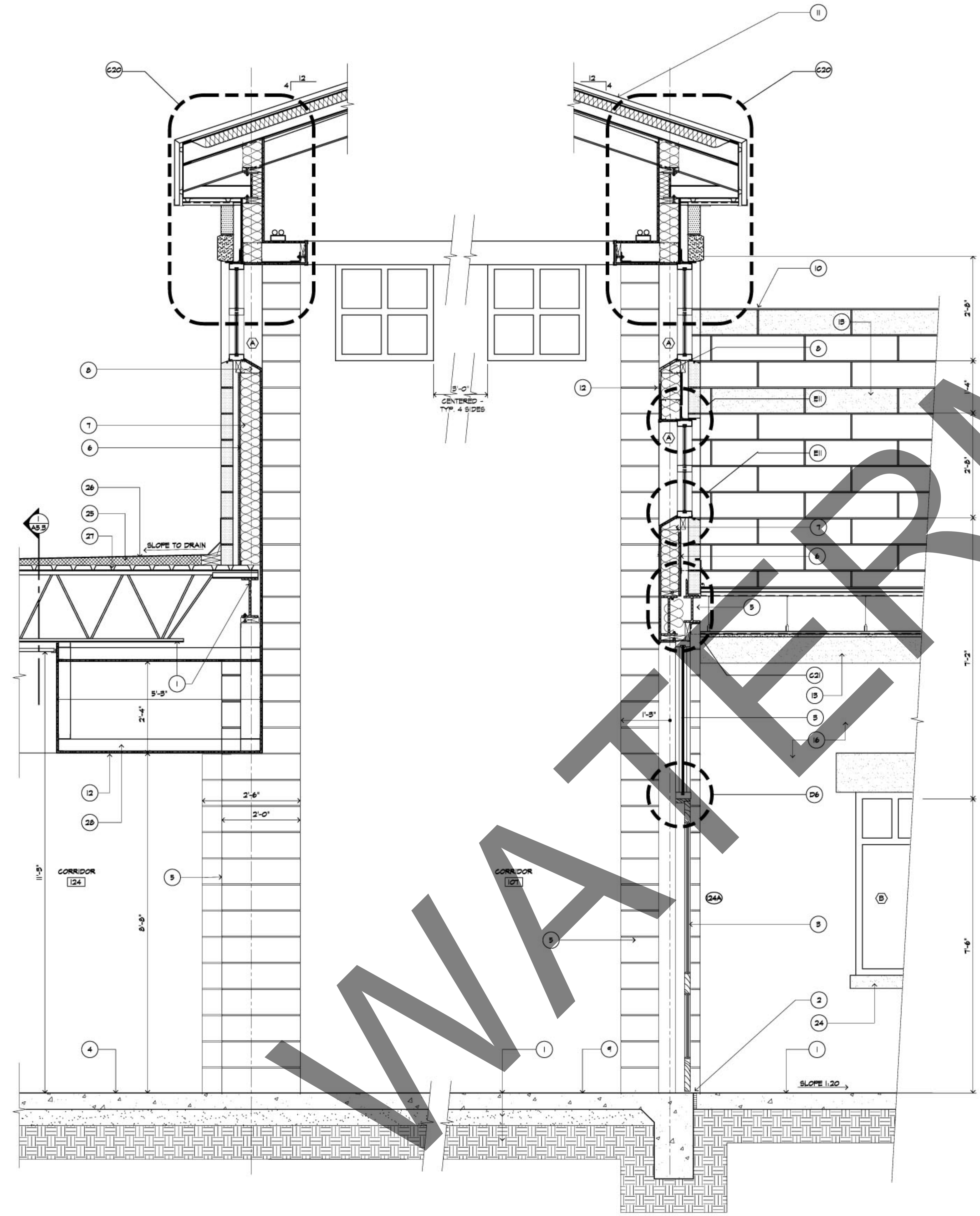
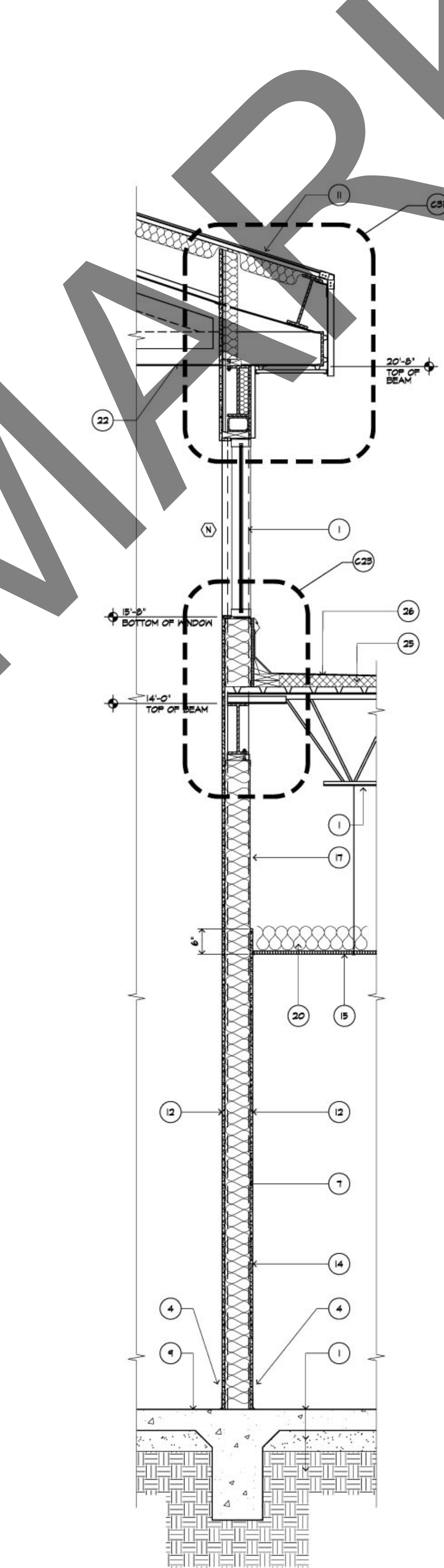


**KEYED NOTES**

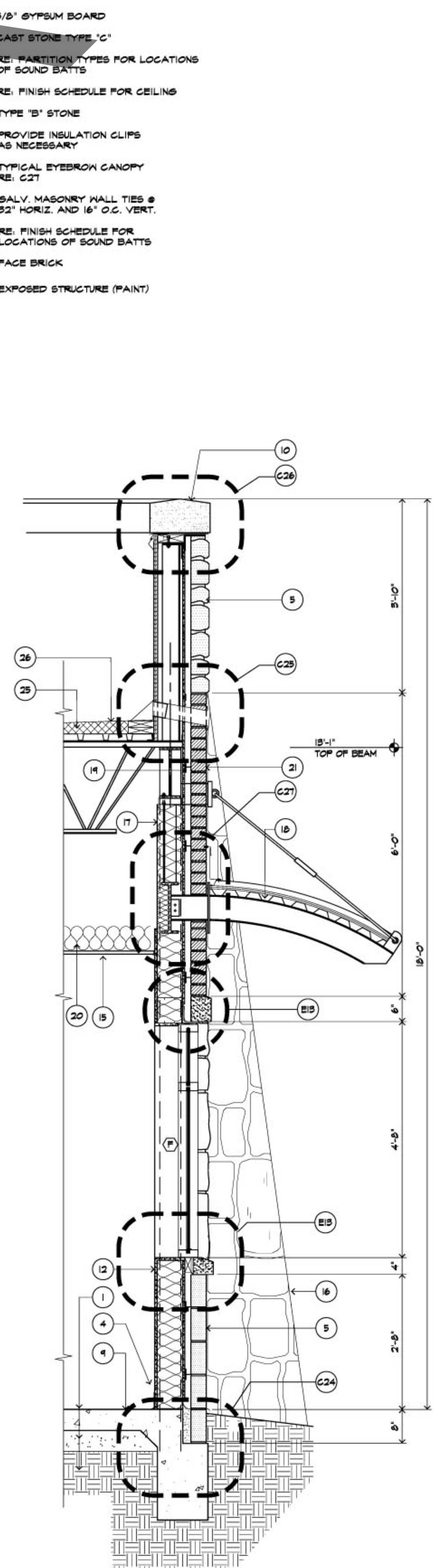
- |   |                          |
|---|--------------------------|
| 1. RE. STRUCTURAL   | 23. TYPE 'A' CAST STONE  |
| 2. 1/2" EXP. JOINT MATERIAL, SEALANT 1/2" AT TOP            | 24. TYPE 'B' CAST STONE  |
| 3. DOOR AND TRANSOM AS SCHEDULED                            | 25. RIGID INSULATION     |
| 4. BASE AS SCHEDULED  | 26. MOD. BITUMEN ROOFING |
| 5. TYPE 'A' STONE   | 27. METAL DECK           |
| 6. 1/2" GYPSUM SHEATHING                                    | 28. 5/8" METAL STUDS     |
| 7. 6" METAL STUDS @ 16" O.C.                                |                          |
| 8. R11 BATT INSULATION                                      |                          |
| 9. FLOORING AS SCHEDULED                                    |                          |
| 10. CAST STONE CAP TYPE 'D'                                 |                          |
| 11. STANDING SEAM METAL ROOF                                |                          |
| 12. 5/8" GYPSUM BOARD                                       |                          |
| 13. CAST STONE TYPE 'C'                                     |                          |
| 14. RE. PARTITION TYPES FOR LOCATIONS OF SOUND BATT         |                          |
| 15. RE. FINISH SCHEDULE FOR CEILING                         |                          |
| 16. TYPE 'B' STONE  |                          |
| 17. PROVIDE INSULATION CLIPS AS NECESSARY                   |                          |
| 18. TYPICAL EYEBROW CANOPY RE. C27                          |                          |
| 19. GALV. MASONRY WALL TIES @ 32" HORIZ. AND 16" O.C. VERT. |                          |
| 20. RE. FINISH SCHEDULE FOR LOCATIONS OF SOUND BATT         |                          |
| 21. FACE BRICK  |                          |
| 22. EXPOSED STRUCTURE (PAINT)                               |                          |



**1** WALL SECTION  
SCALE: 3/4" = 1'-0"



**2** WALL SECTION  
SCALE: 3/4" = 1'-0"



**3** WALL SECTION  
SCALE: 3/4" = 1'-0"