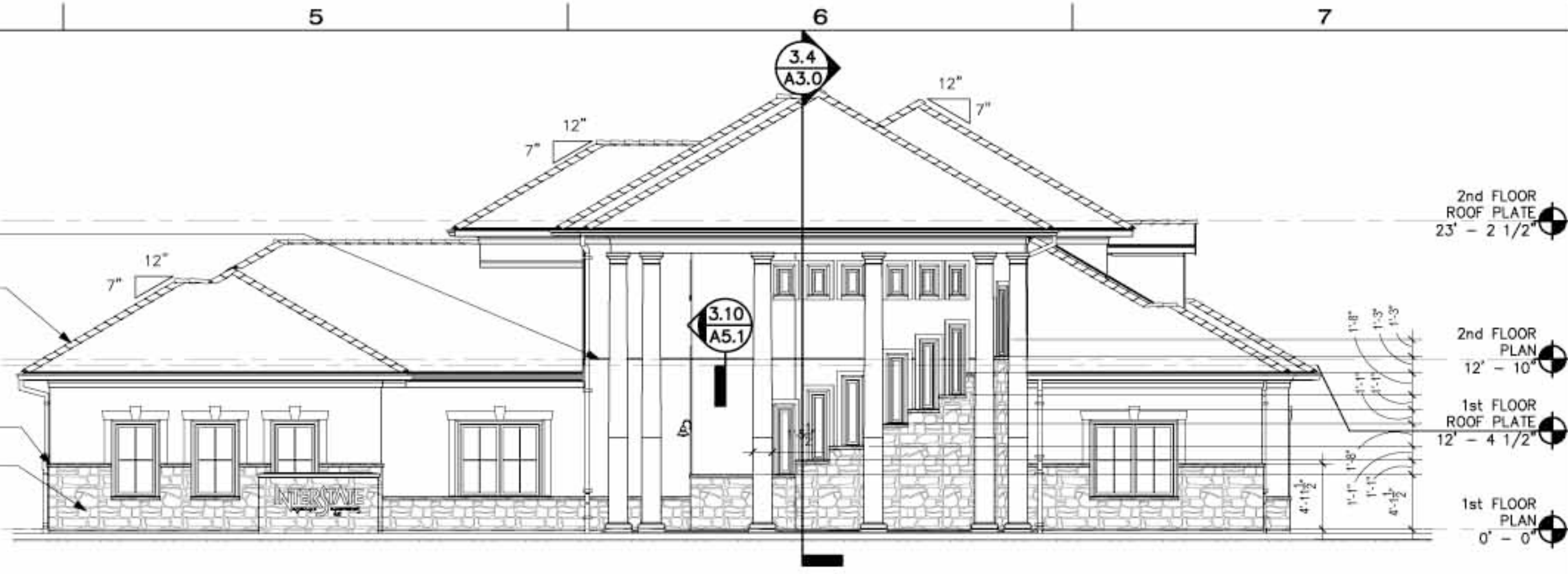


3.4 NORTH ELEVATION
SCALE= 1/8" = 1'-0"

HORIZ. E.J. IN EIFS @ FLOOR LINE
CLAY TILE RIDGE & HIP CAPS TYP.

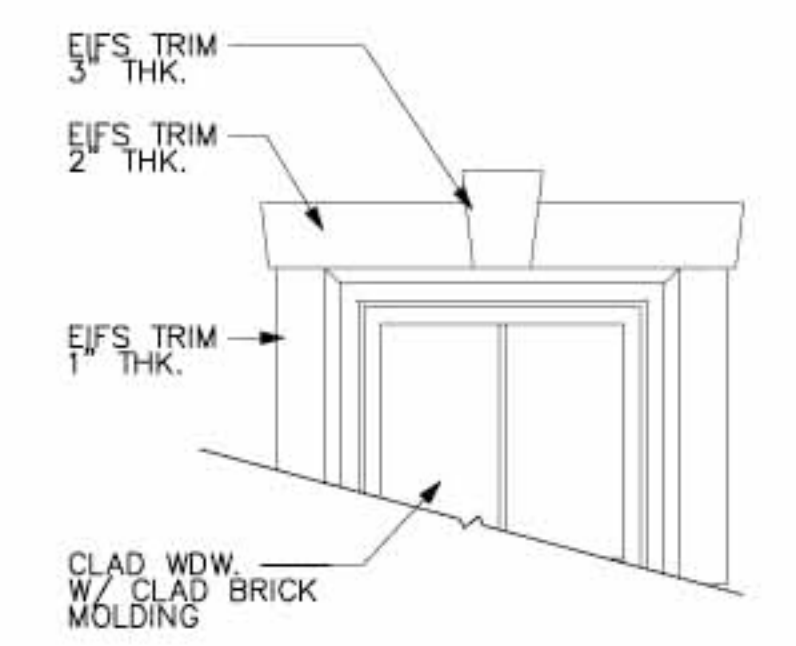
CULTURED STONE CAP
CULTURED STONE: CENTURION STONE, PATTERN: FIELD STONE (W/ MORTARED JOINTS)



3.8 NORTH PATIO ELEVATION
SCALE= 1/8" = 1'-0"



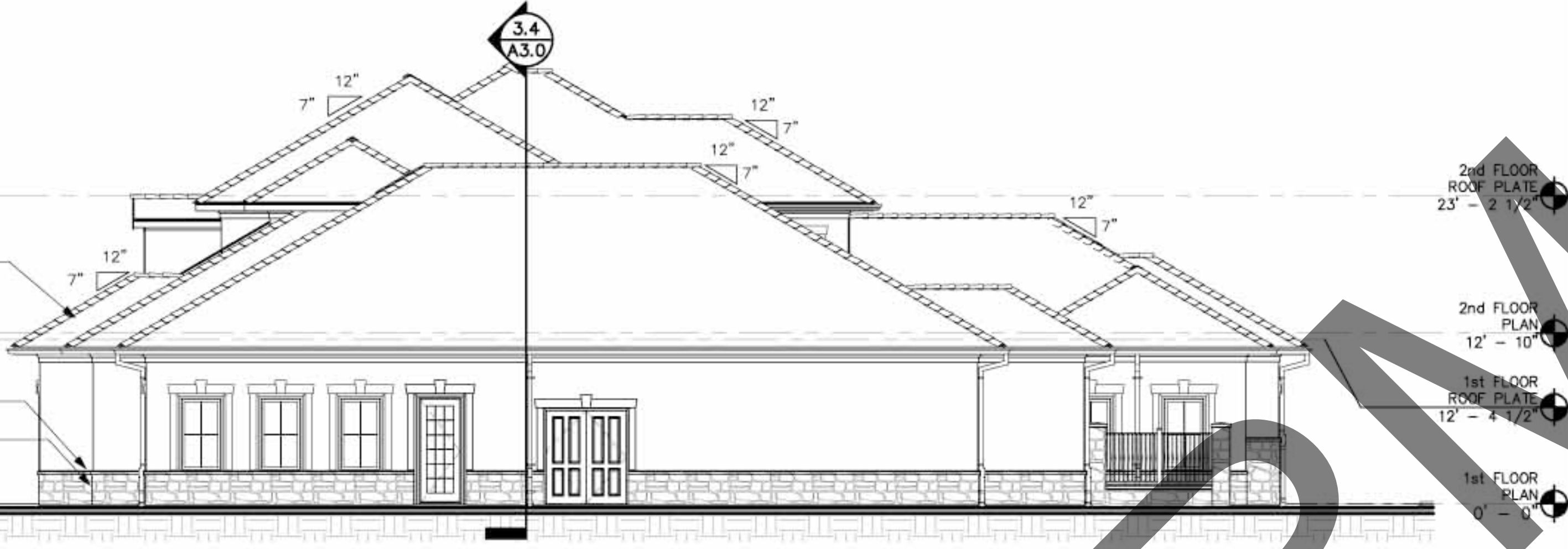
3.10 TYP. EIFS TRIM @ WINDOW
SCALE= 1/2" = 1'-0"



2.4 SOUTH ELEVATION
SCALE= 1/8" = 1'-0"

CLAY TILE RIDGE & HIP CAPS TYP.

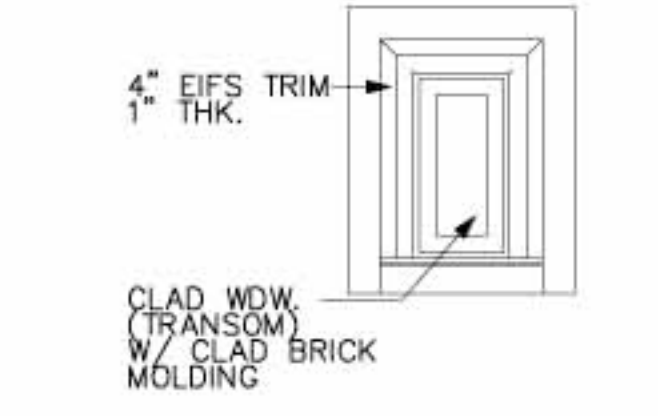
CULTURED STONE CAP
CULTURED STONE: CENTURION STONE, PATTERN: FIELD STONE (W/ MORTARED JOINTS)



2.8 SOUTH PATIO ELEVATION
SCALE= 1/8" = 1'-0"



2.10 TYP. EIFS @ WINDOW 1
SCALE= 1/2" = 1'-0"

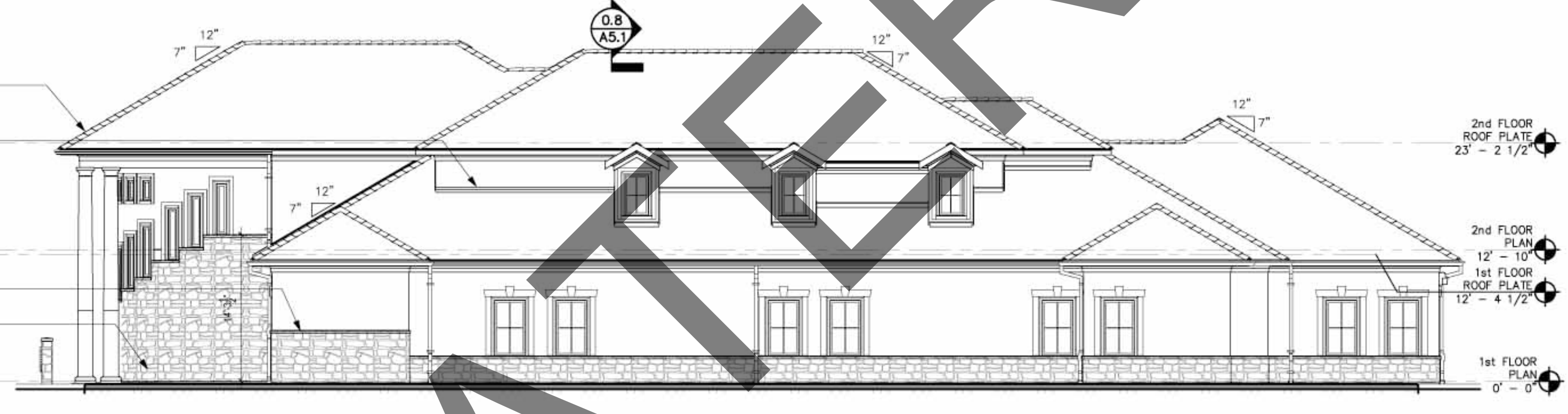


1.4 WEST ELEVATION
SCALE= 1/8" = 1'-0"

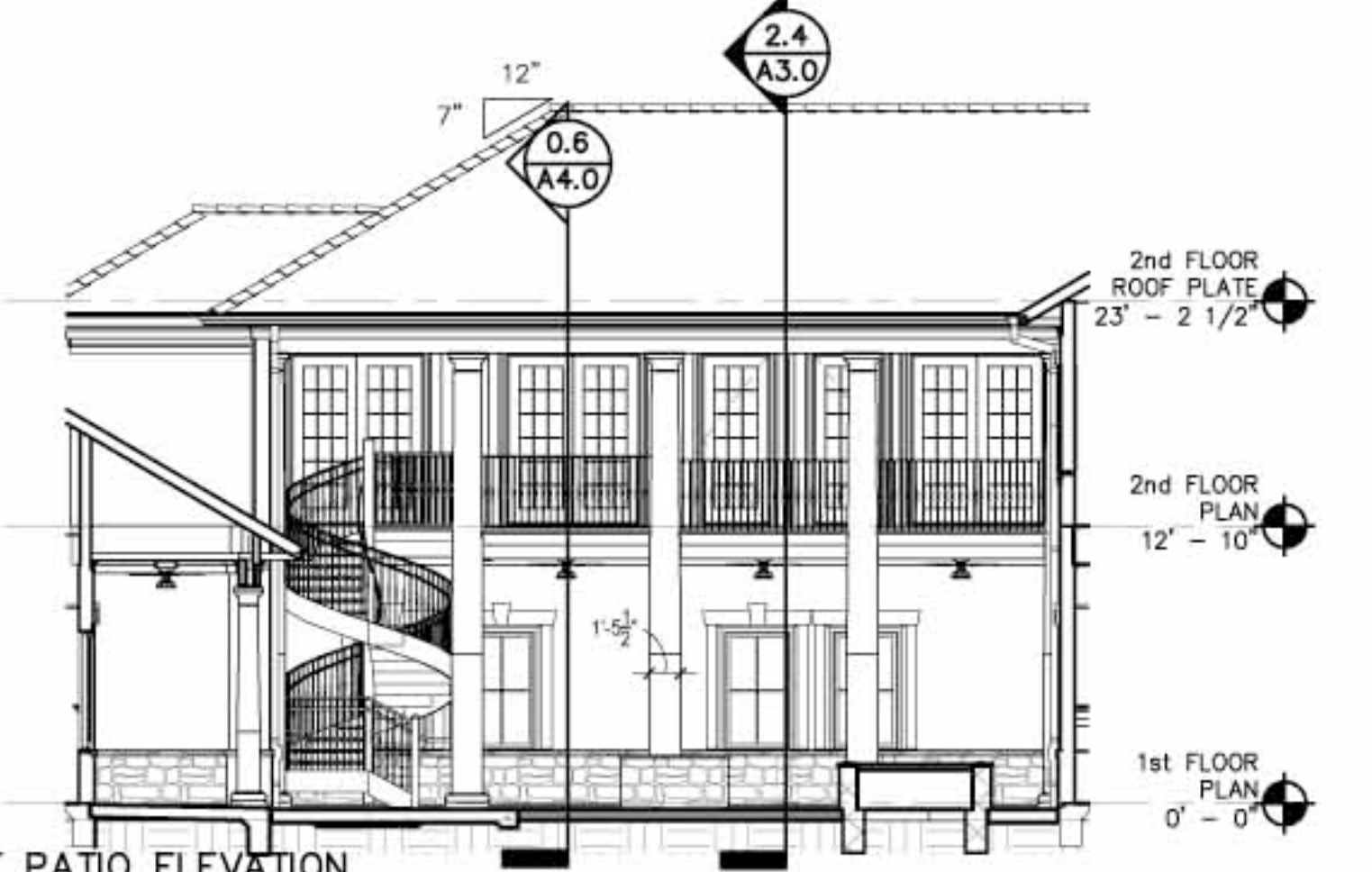
CLAY TILE RIDGE & HIP CAPS TYP.

COR-A-VENT FLASHING, SEE DETAIL 2.9/A5.1

CULTURED STONE CAP
CULTURED STONE: CENTURION STONE, PATTERN: FIELD STONE (W/ MORTARED JOINTS)



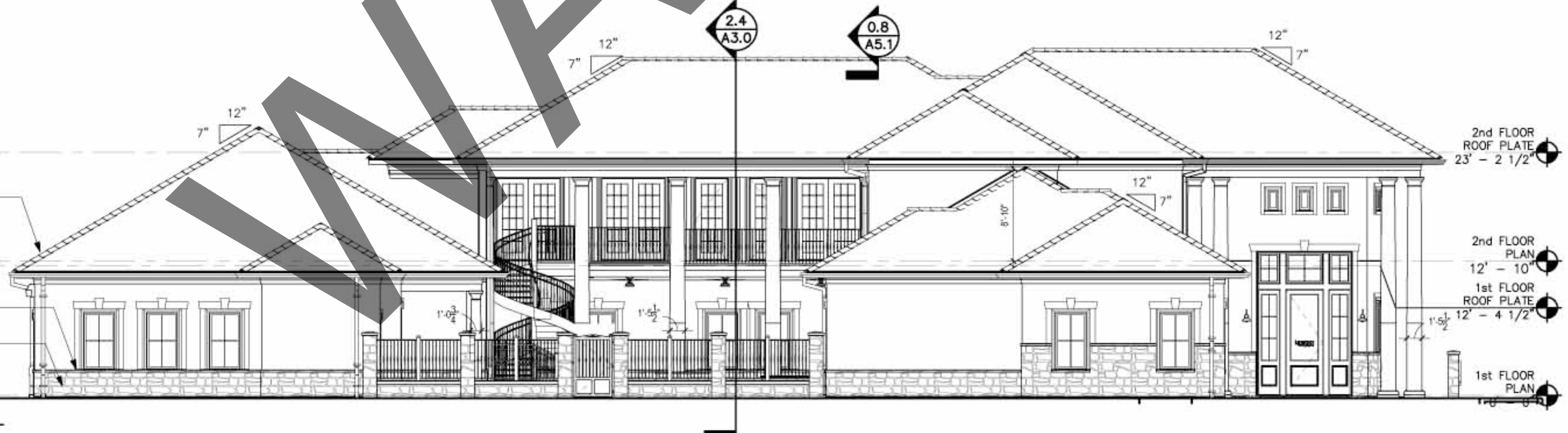
1.9 EAST PATIO ELEVATION
SCALE= 1/8" = 1'-0"



0.4 EAST ELEVATION
SCALE= 1/8" = 1'-0"

CLAY TILE RIDGE & HIP CAPS TYP.

CULTURED STONE CAP
CULTURED STONE: CENTURION STONE, PATTERN: FIELD STONE (W/ MORTARED JOINTS)



REVISIONS		DATE	OCTOBER, 2009
NO.	DATE	PROJ. NO.	0905
		SHEET	A2.0
		OF	SHEETS