

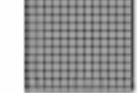




-  2'x2' ACOUSTICAL LAY-IN CEILING GRID AND TILE
-  TBTP GYPSUM CEILING
-  2'x2' CERAMIC TILE
-  2'x2' SECURITY STEEL LAY-IN PANELS HEAVY DUTY GRID SYSTEM W/ ACOUSTICAL BATT SCREWED ACCESS PANEL- SEE DETAILS
-  STEEL PLATE CEILING
- EXPOSED PAINTED CEILING WHERE NOTED

1 2ND FLOOR REFLECTED CEILING PLAN - AREA A
 SCALE: 1/8" = 1'-0"

REV. #	DESCRIPTION	DATE
1	CONSTRUCTION	12/07/10
2		
3		
4		
5		

PROJECT NUMBER
0905

DATE
10/12/2010

SHEET TITLE
2ND FLOOR REFLECTED CLG. PLAN - PART A

SHEET NUMBER
A3.02A