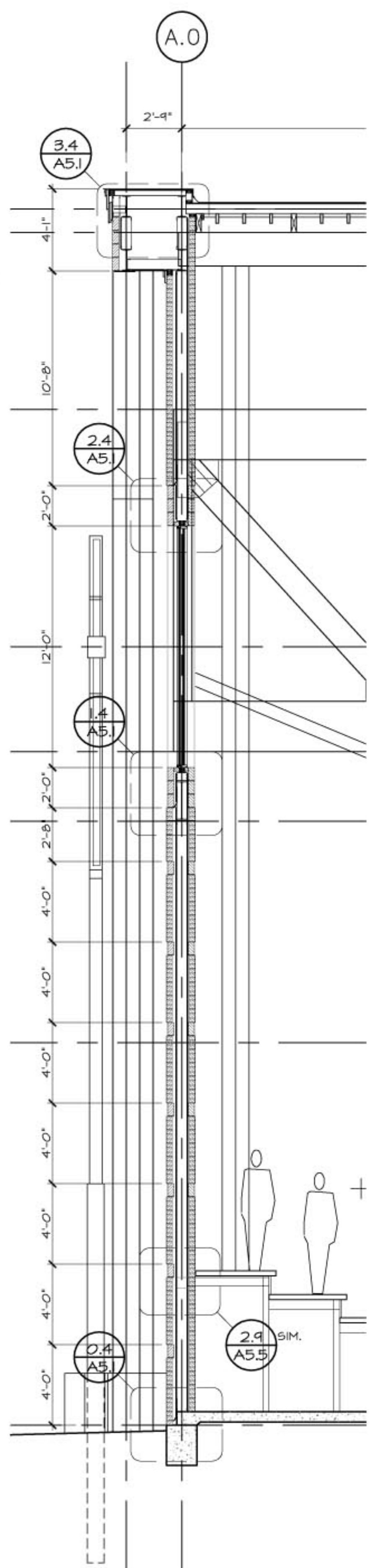
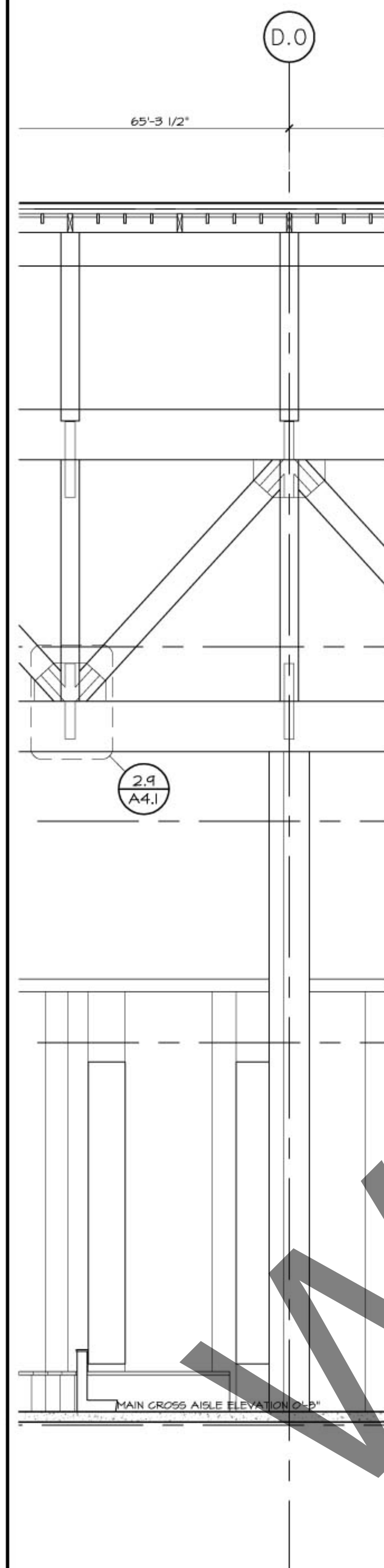


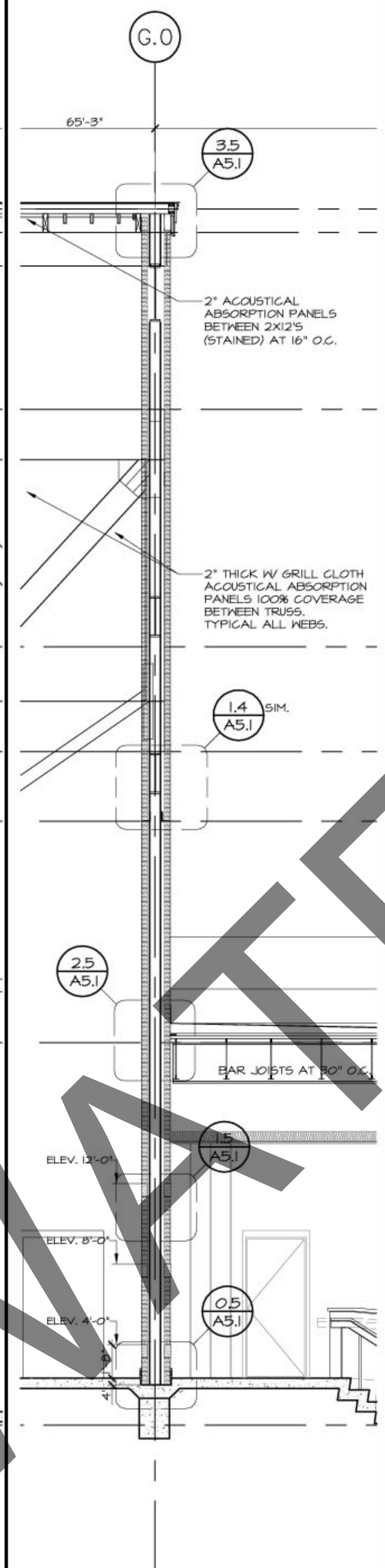
3  
2  
1  
0



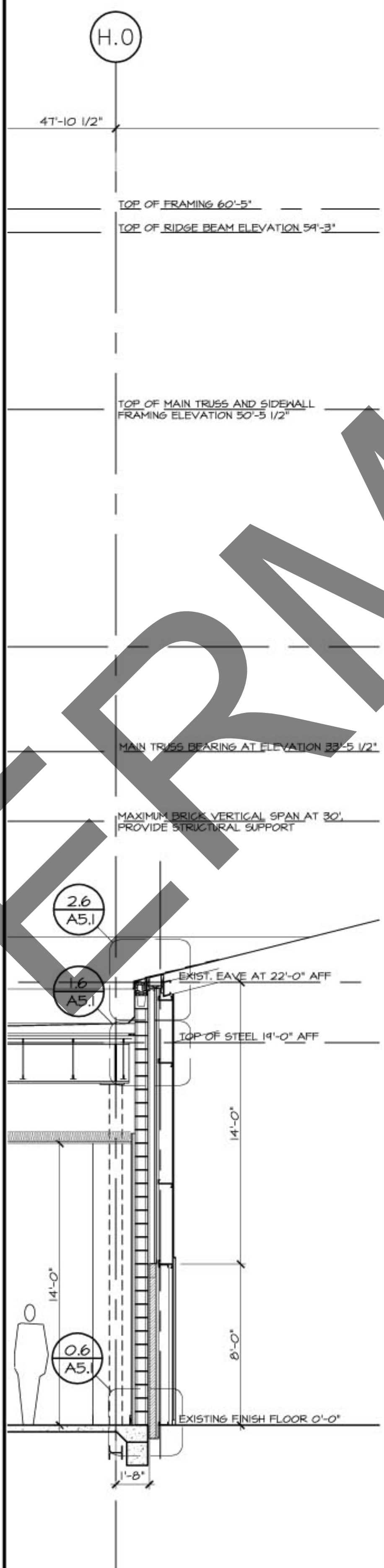
**0.4 WALL SECTION**  
SCALE: 1/4" = 1'-0"



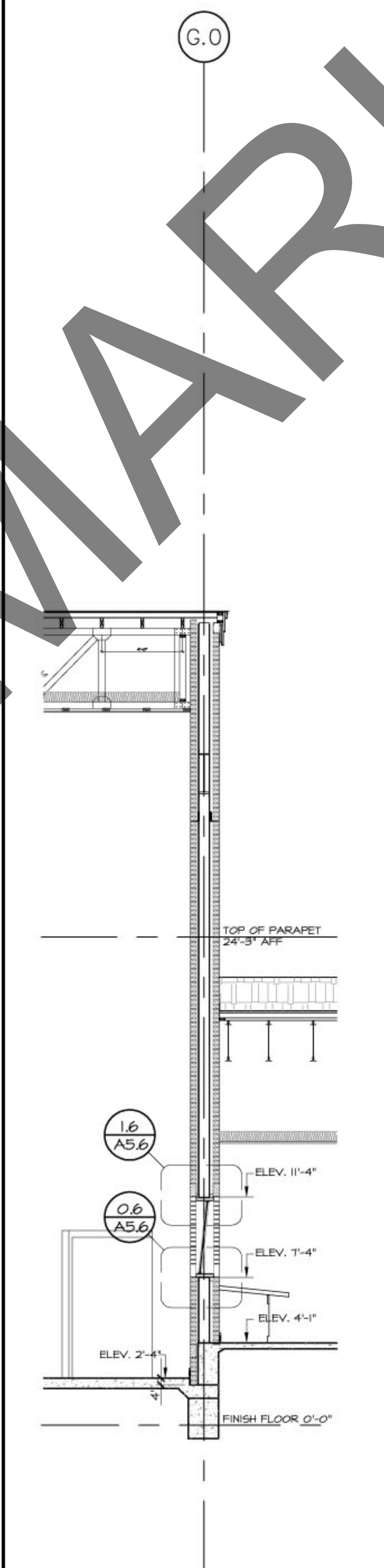
**0.5 SECTION**  
SCALE: 1/4" = 1'-0"



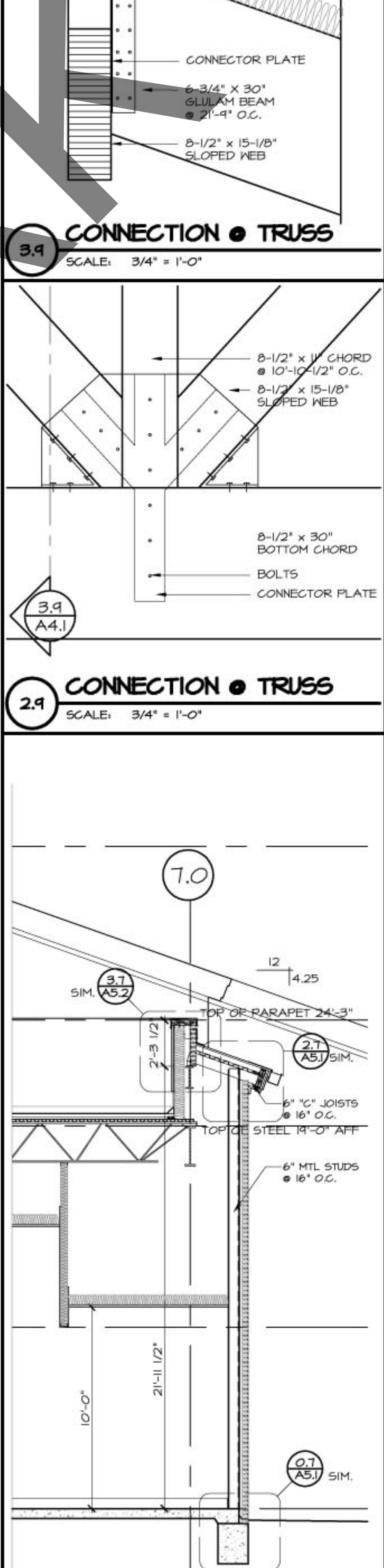
**0.6 WALL SECTION**  
SCALE: 1/4" = 1'-0"



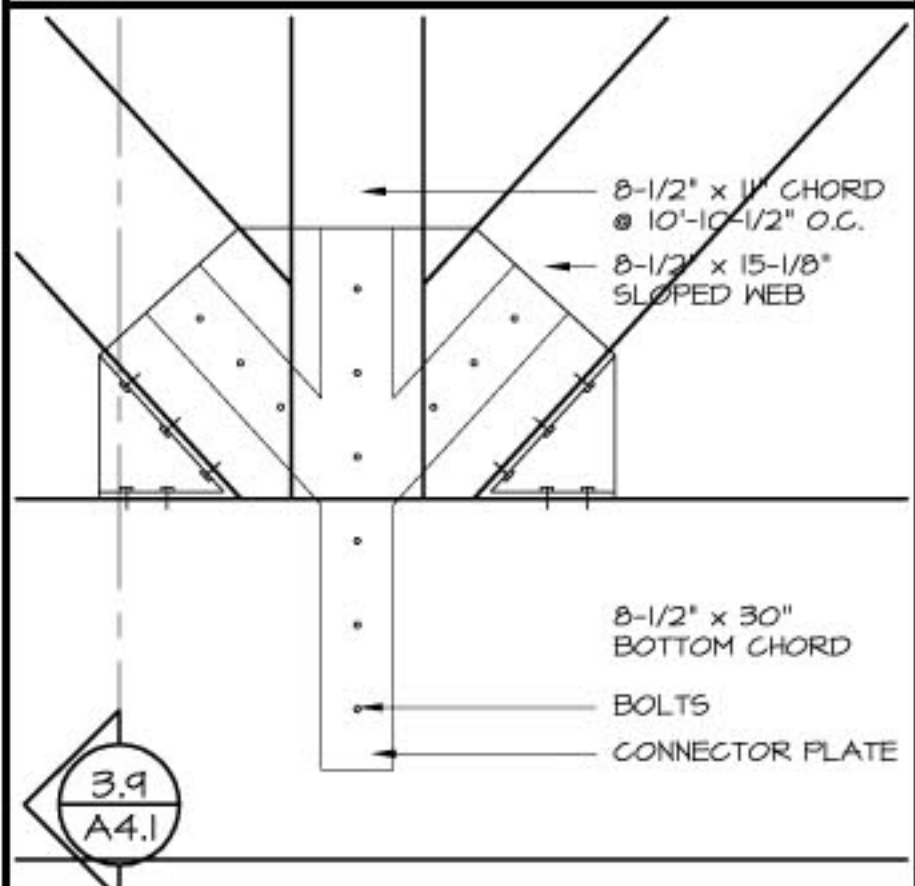
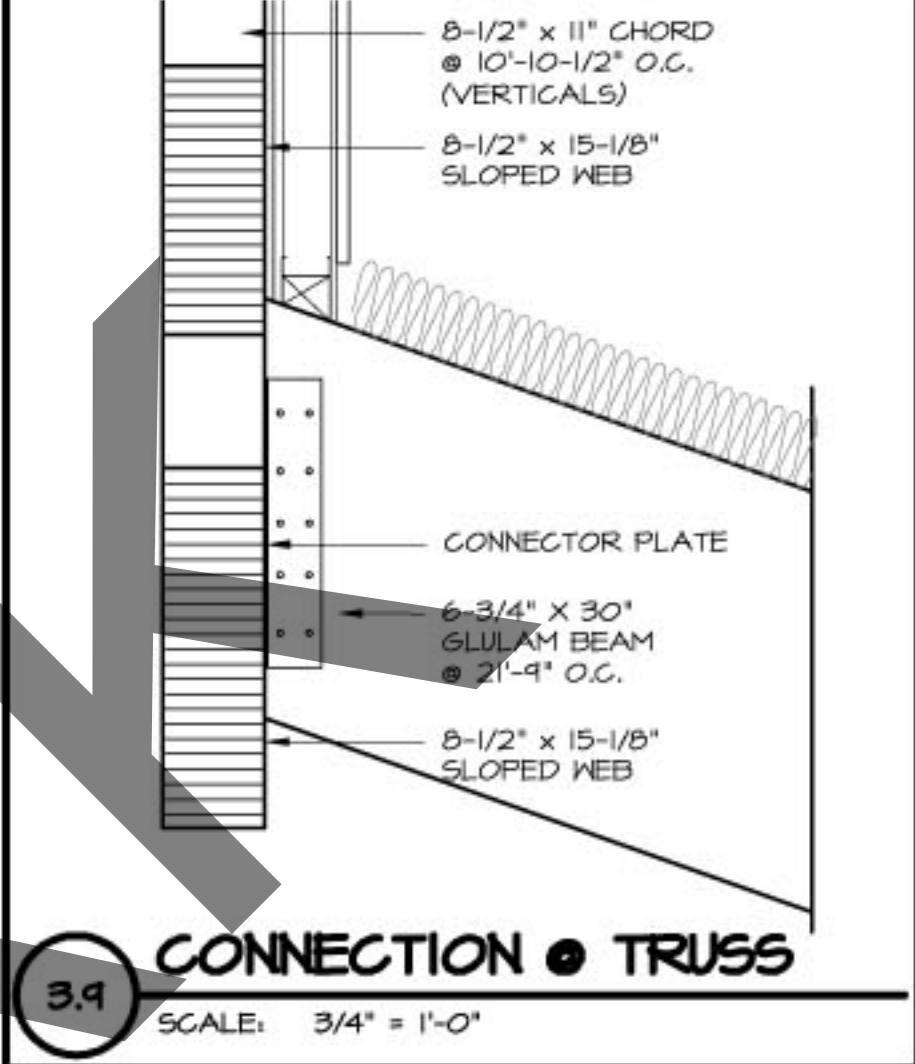
**0.7 WALL SECTION**  
SCALE: 1/4" = 1'-0"



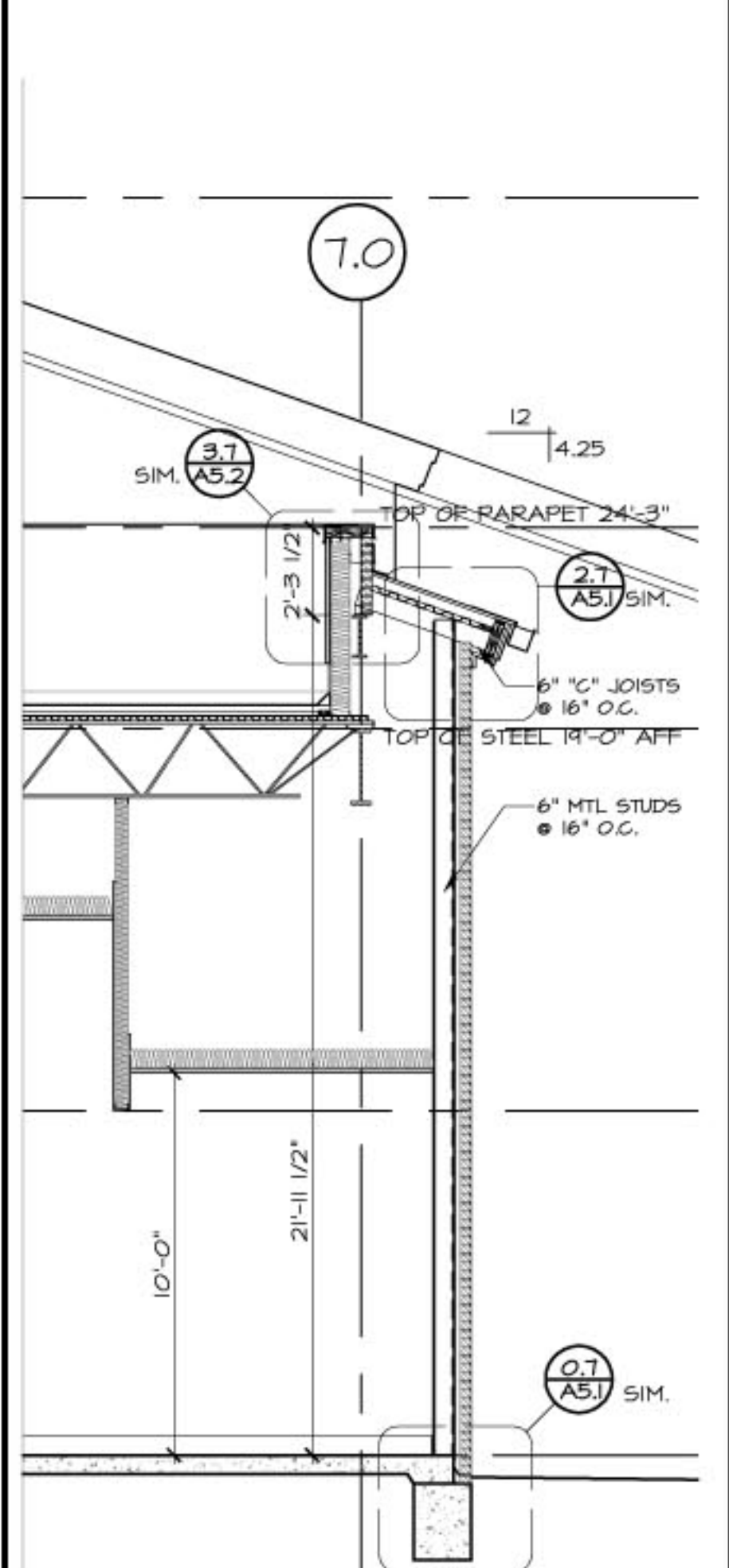
**0.8 WALL SECTION**  
SCALE: 1/4" = 1'-0"



**0.9 ALT. WALL SECTION**  
SCALE: 1/4" = 1'-0"



**2.9 CONNECTION TO TRUSS**  
SCALE: 3/4" = 1'-0"



**3.9 A4.1 CONNECTION TO TRUSS**  
SCALE: 3/4" = 1'-0"

REVISIONS		DATE
NO.	DATE	PROJ. NO.
		SHEET
		<b>A4.1</b>
		OF SHEETS