

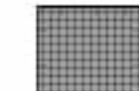




-  2x2' ACOUSTICAL LAY-IN CEILING GRID AND TILE
 -  TBTP GYPSUM CEILING
 -  2'x2' CERAMIC TILE
 -  2'x2' SECURITY STEEL LAY-IN PANELS HEAVY DUTY GRID SYSTEM W/ ACOUSTICAL BATT SCREWED ACCESS PANEL- SEE DETAILS
 -  STEEL PLATE CEILING
- EXPOSED PAINTED CEILING WHERE NOTED

1 2ND FLOOR REFLECTED CEILING PLAN - AREA B
SCALE: 1/8" = 1'-0"

REV. #	DESCRIPTION	DATE
1	CONSTRUCTION	12.07.10
2		
3		
4		
5		

PROJECT NUMBER
0905

DATE
10/12/2010

SHEET TITLE
2ND FLOOR REFLECTED GLG. PLAN - PART B

SHEET NUMBER
A3.02B