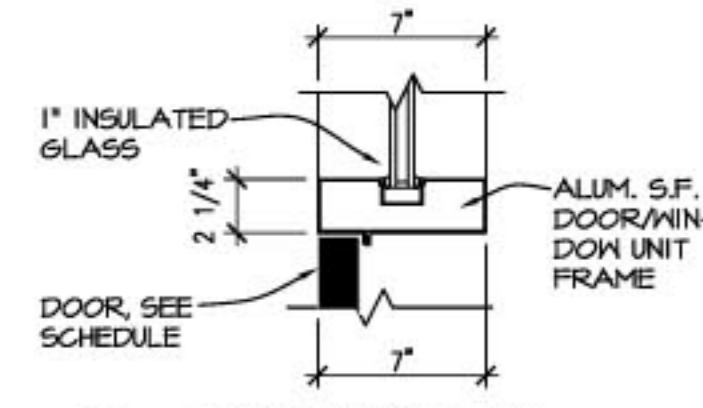
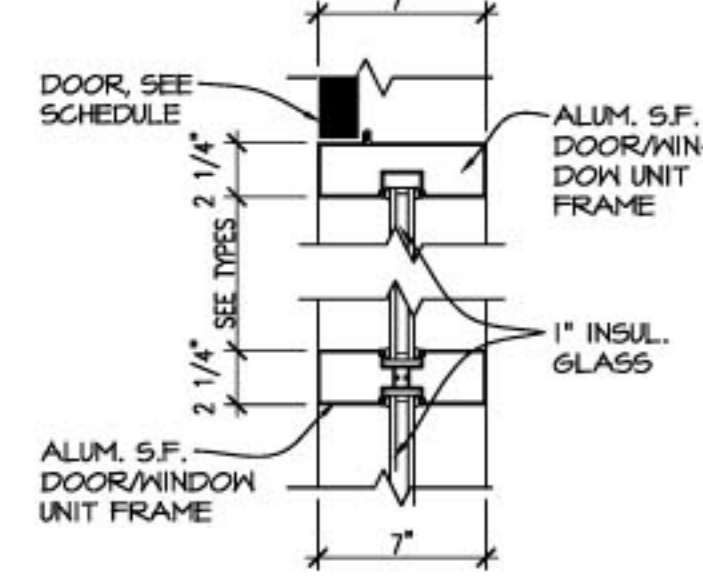


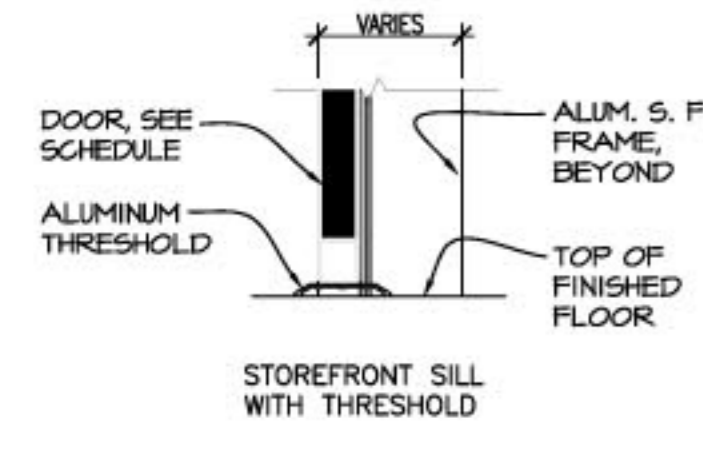
**1 DOOR HEAD DETAIL**  
SCALE: 1 1/2" = 1'-0"



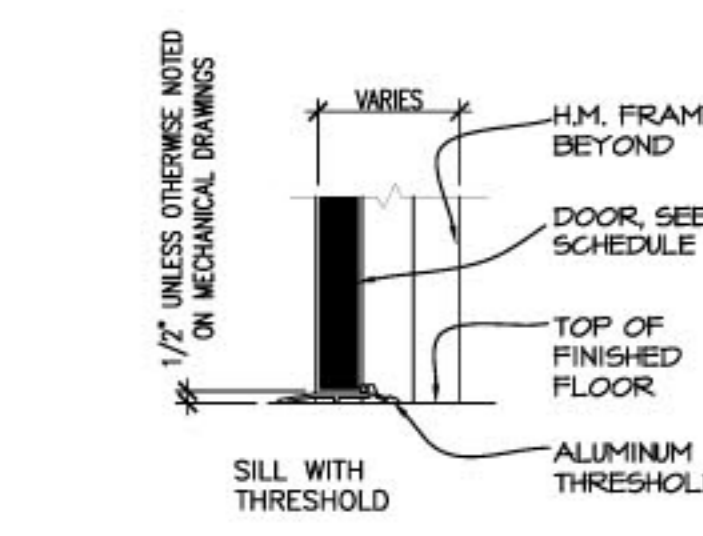
**2 DOOR JAMB DETAIL**  
SCALE: 1 1/2" = 1'-0"



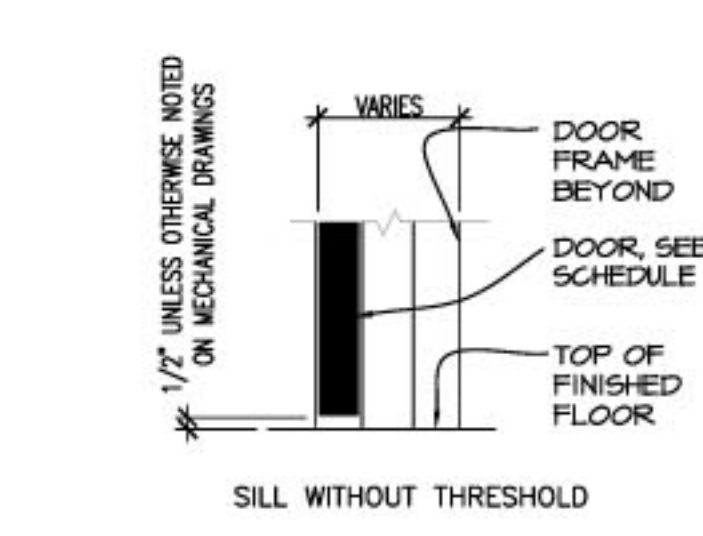
**3 DOOR JAMB DETAIL**  
SCALE: 1 1/2" = 1'-0"



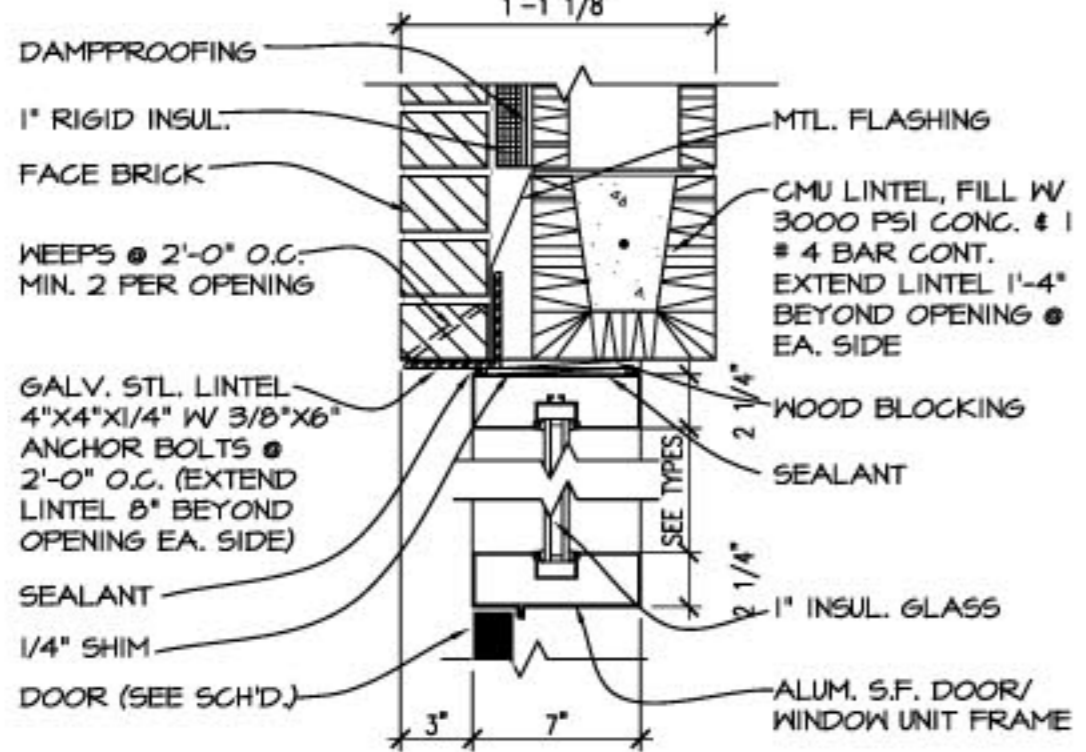
**4 DOOR SILL DETAIL**  
SCALE: 1 1/2" = 1'-0"



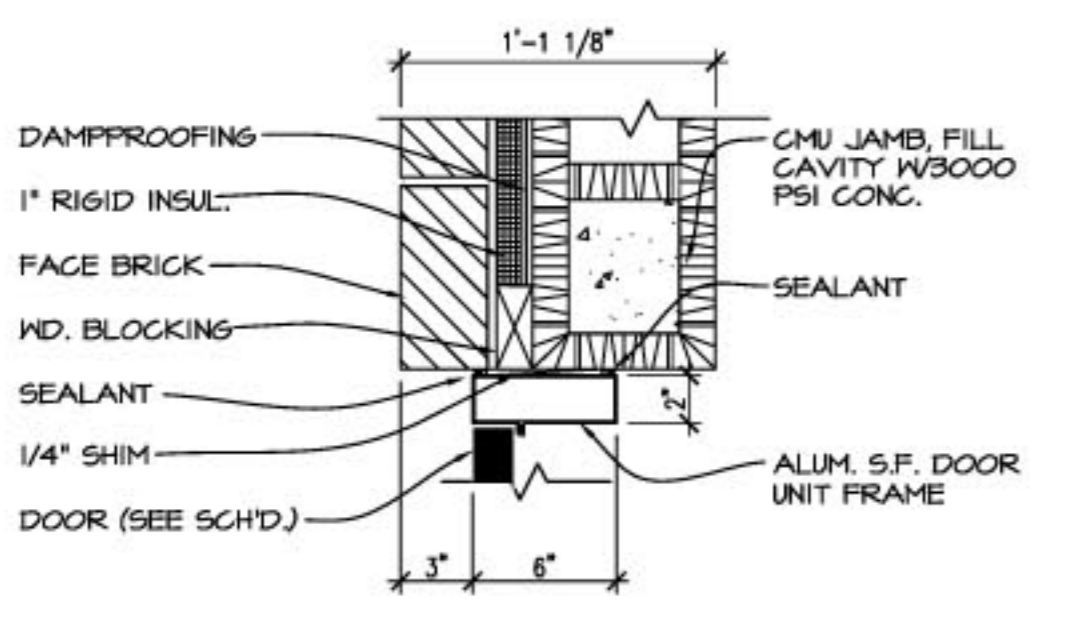
**5 DOOR SILL DETAIL**  
SCALE: 1 1/2" = 1'-0"



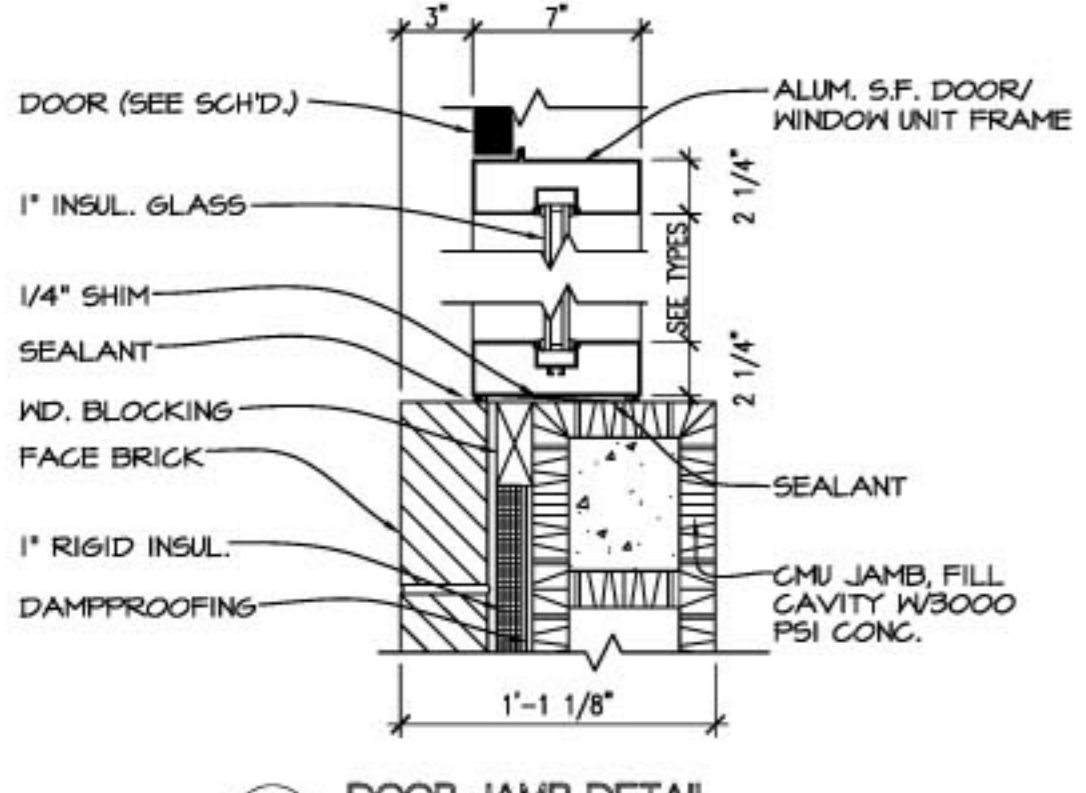
**6 DOOR SILL DETAIL**  
SCALE: 1 1/2" = 1'-0"



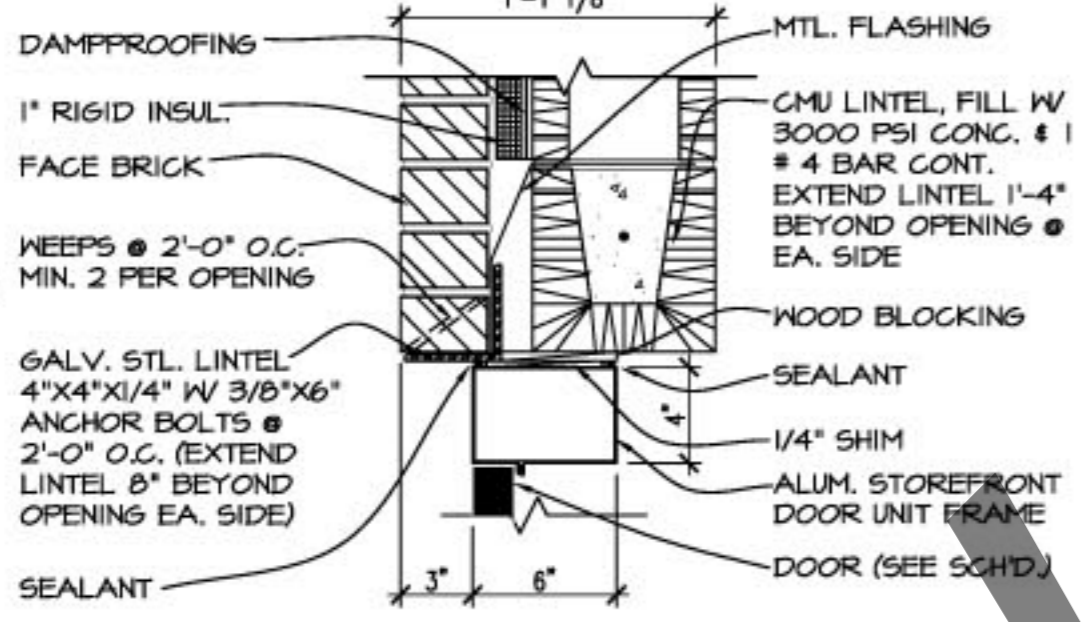
**7 DOOR HEAD DETAIL**  
SCALE: 1 1/2" = 1'-0"



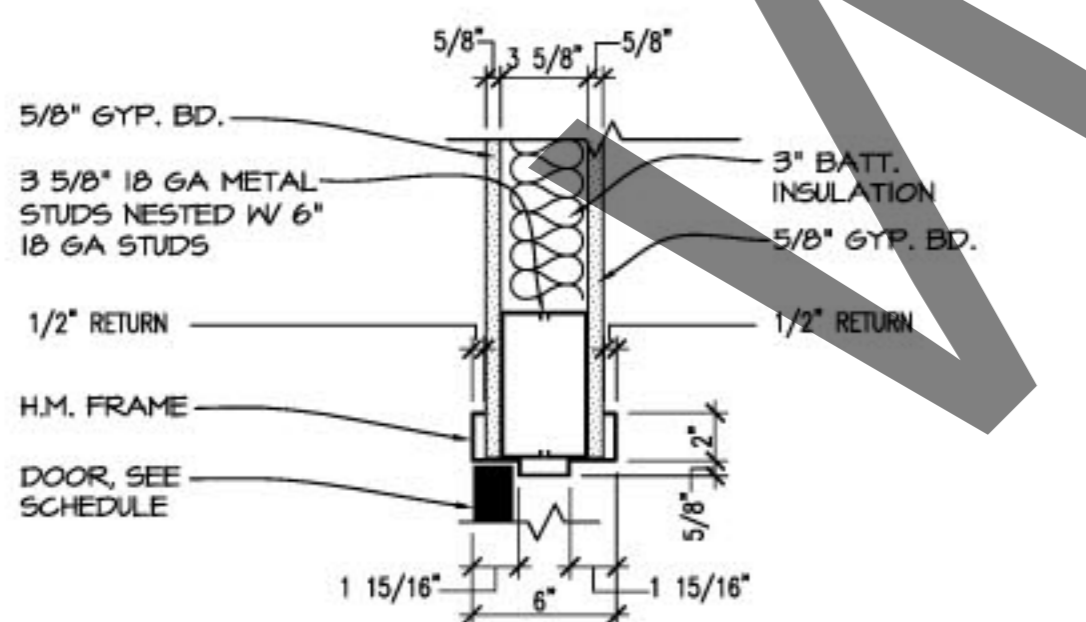
**8 DOOR JAMB DETAIL**  
SCALE: 1 1/2" = 1'-0"



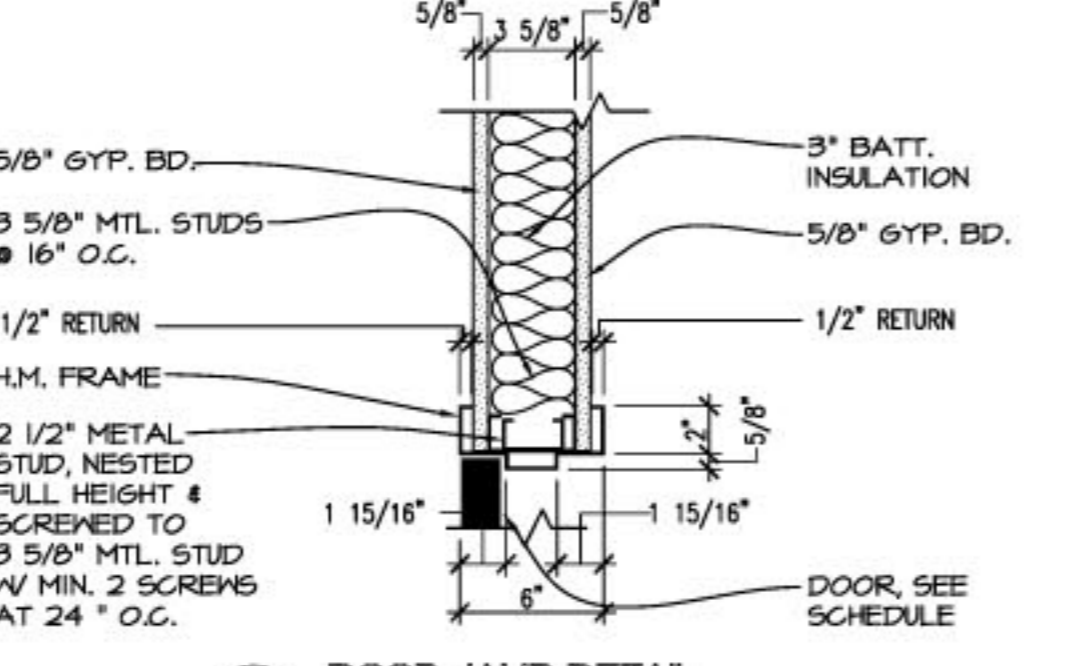
**9 DOOR JAMB DETAIL**  
SCALE: 1 1/2" = 1'-0"



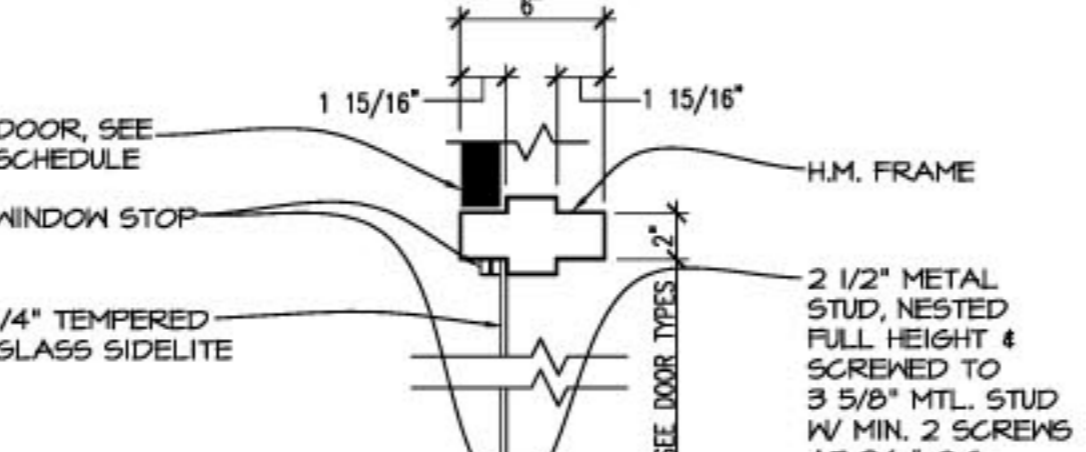
**10 DOOR HEAD DETAIL**  
SCALE: 1 1/2" = 1'-0"



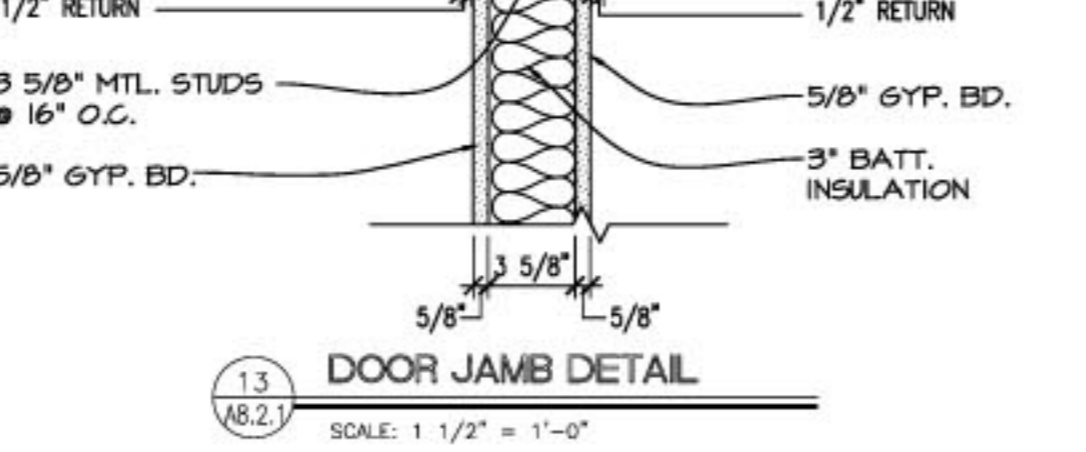
**11 DOOR HEAD DETAIL**  
SCALE: 1 1/2" = 1'-0"



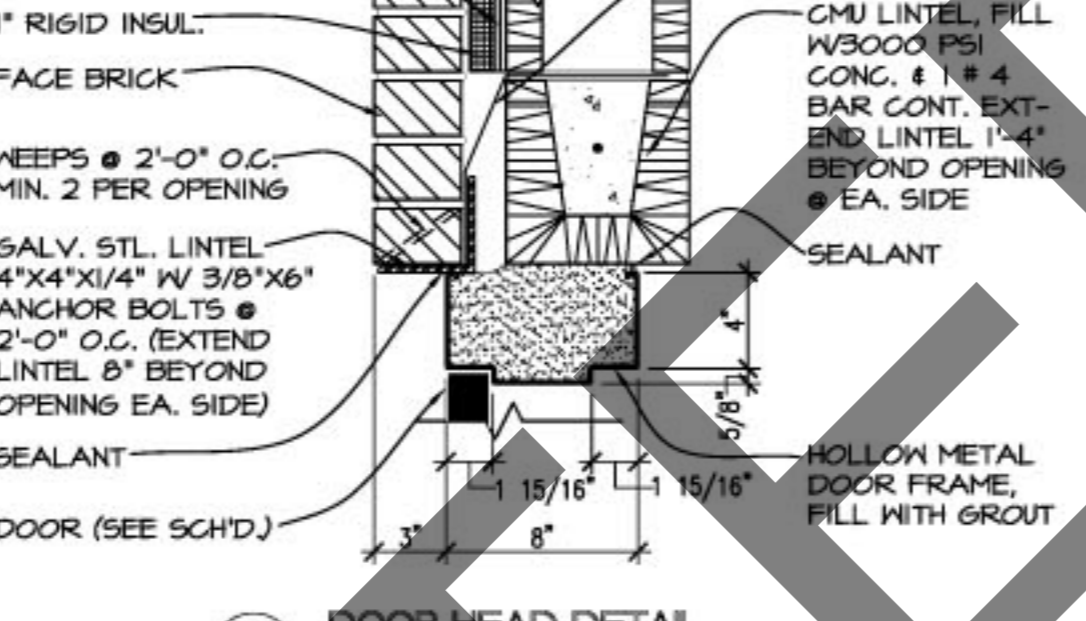
**12 DOOR JAMB DETAIL**  
SCALE: 1 1/2" = 1'-0"



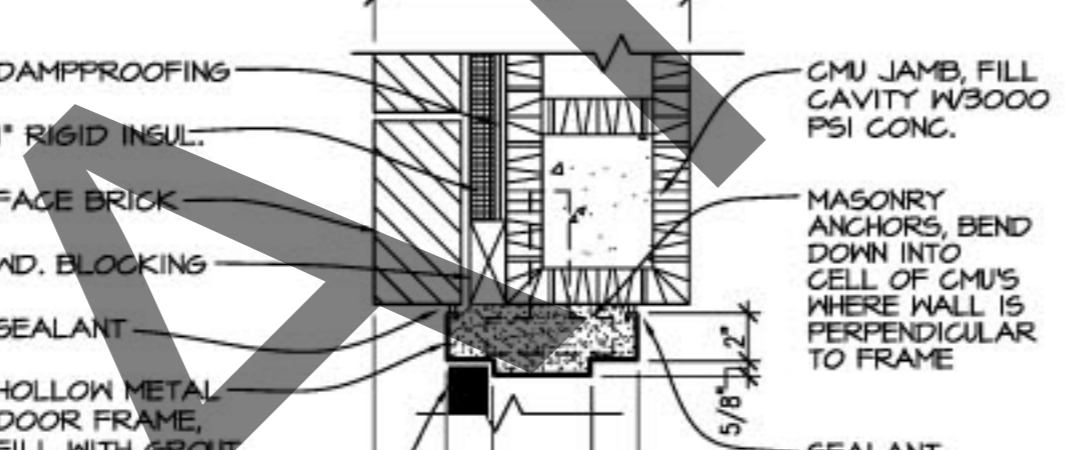
**13 DOOR HEAD DETAIL**  
SCALE: 1 1/2" = 1'-0"



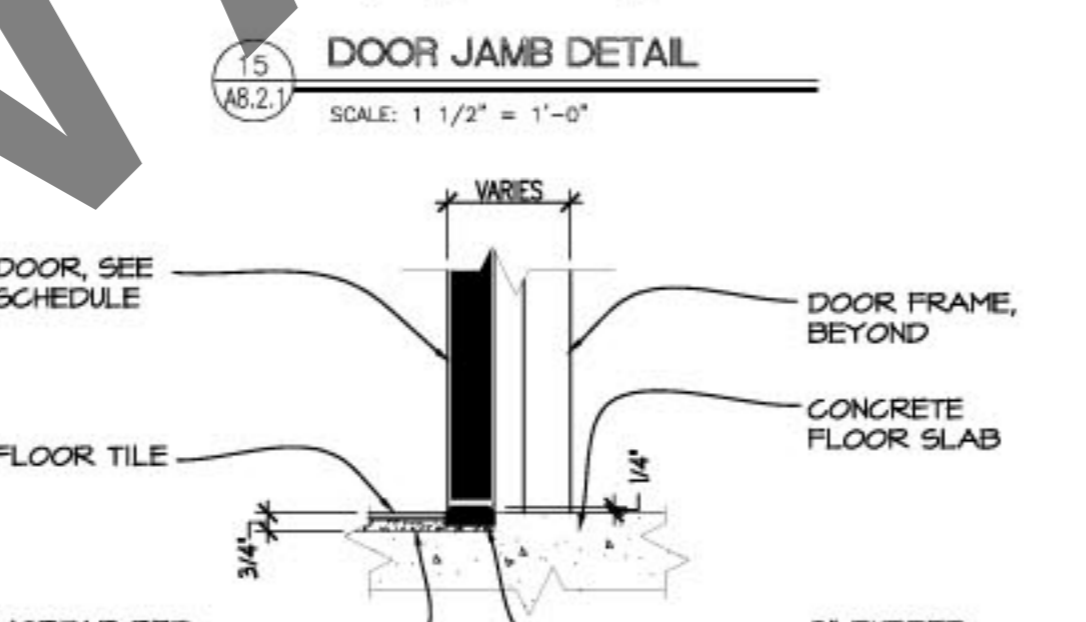
**14 DOOR JAMB DETAIL**  
SCALE: 1 1/2" = 1'-0"



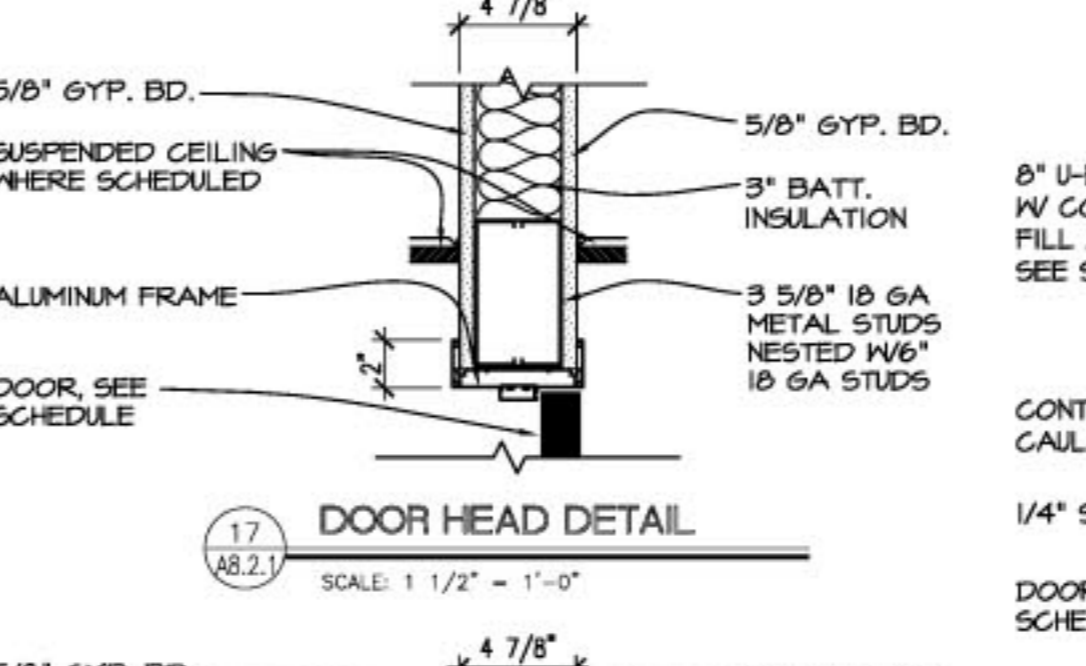
**15 DOOR HEAD DETAIL**  
SCALE: 1 1/2" = 1'-0"



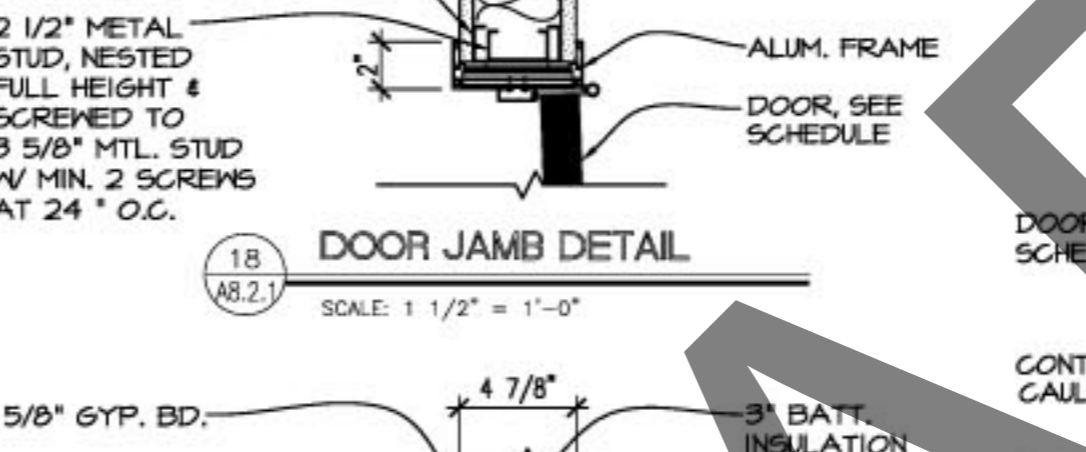
**16 DOOR JAMB DETAIL**  
SCALE: 1 1/2" = 1'-0"



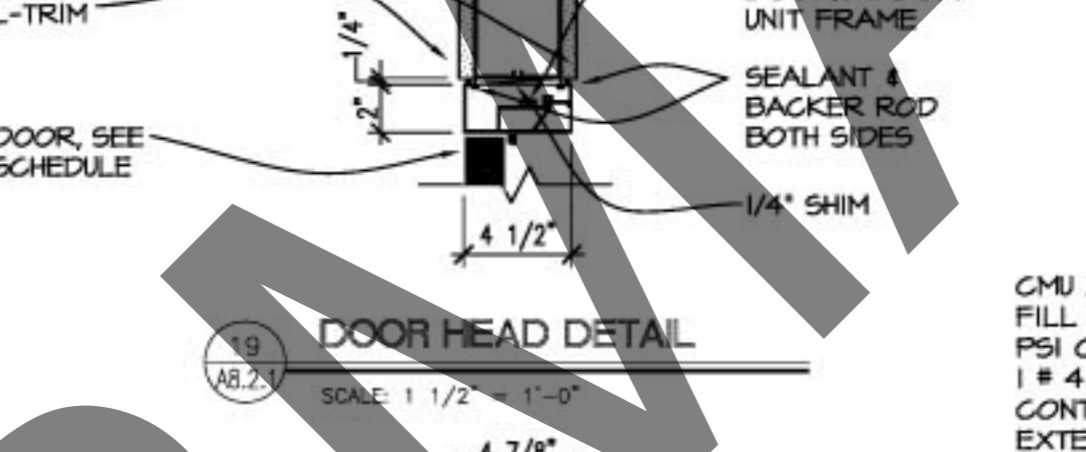
**17 DOOR SILL DETAIL**  
SCALE: 1 1/2" = 1'-0"



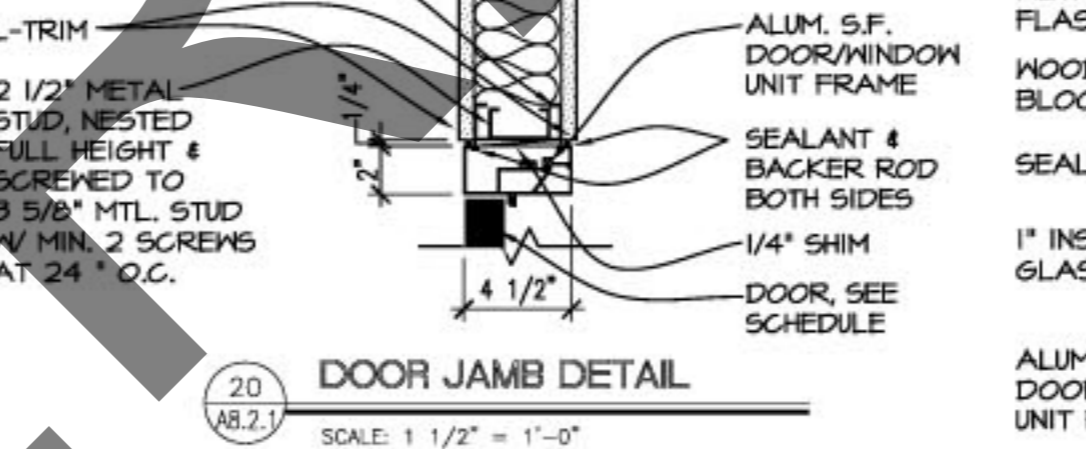
**18 DOOR HEAD DETAIL**  
SCALE: 1 1/2" = 1'-0"



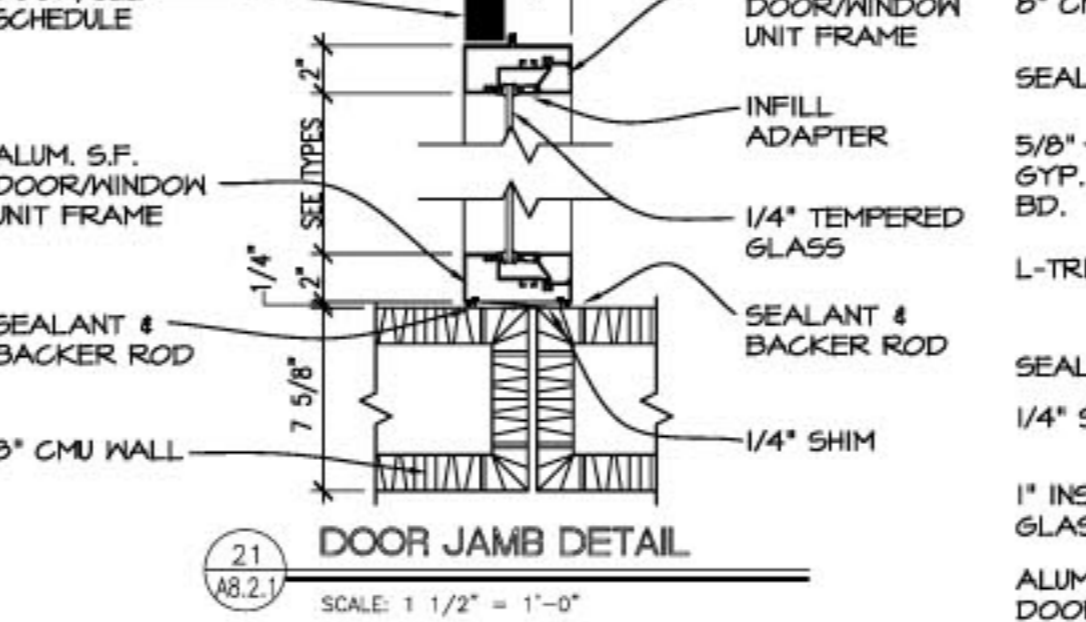
**19 DOOR JAMB DETAIL**  
SCALE: 1 1/2" = 1'-0"



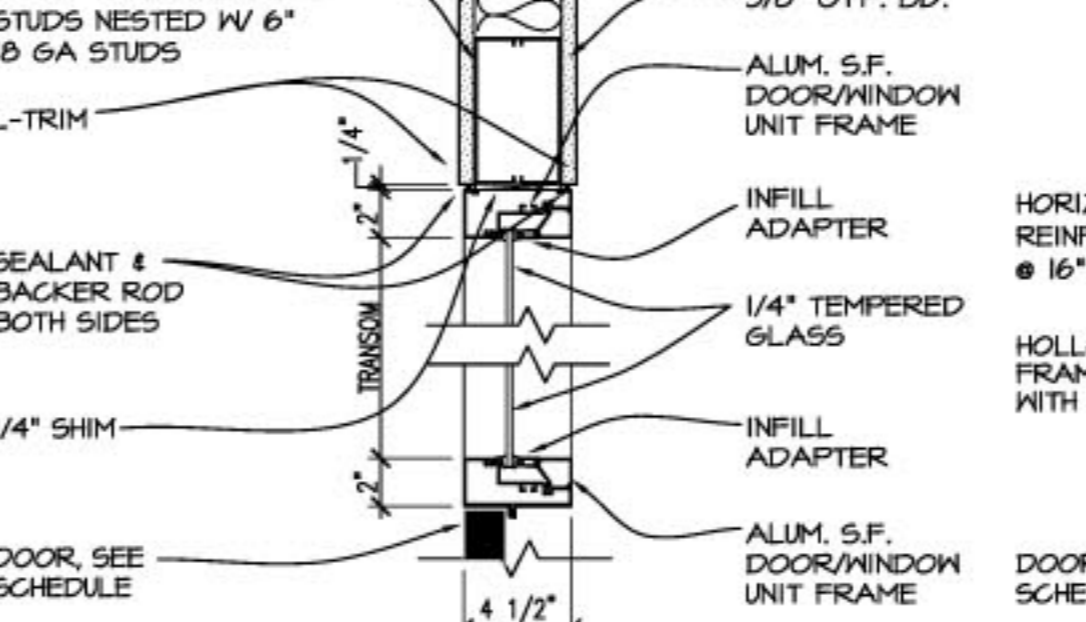
**20 DOOR HEAD DETAIL**  
SCALE: 1 1/2" = 1'-0"



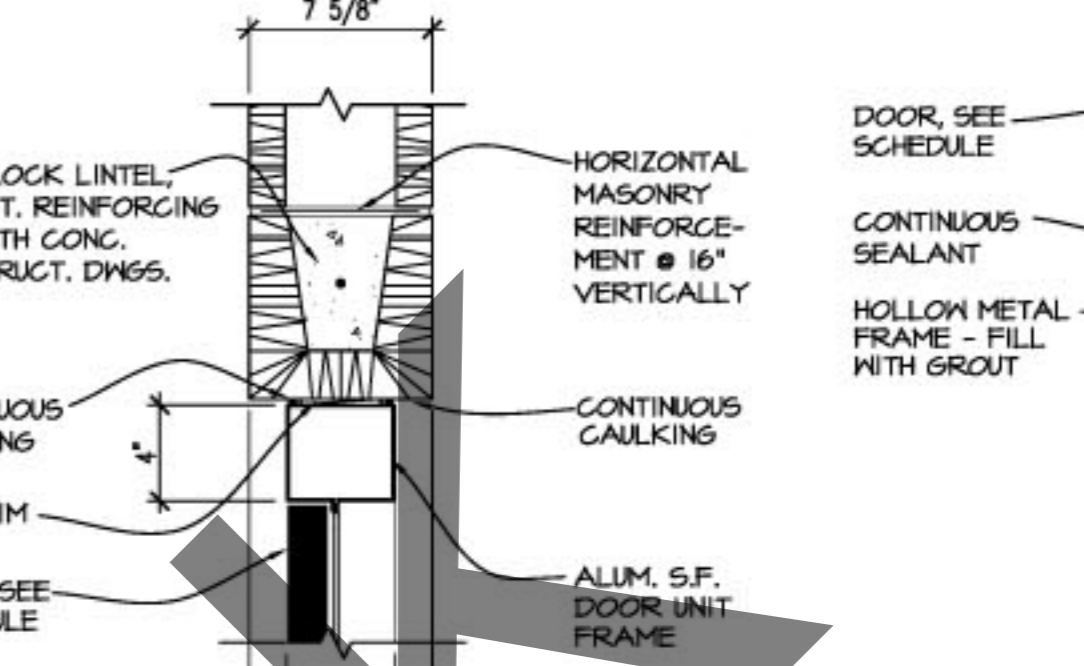
**21 DOOR JAMB DETAIL**  
SCALE: 1 1/2" = 1'-0"



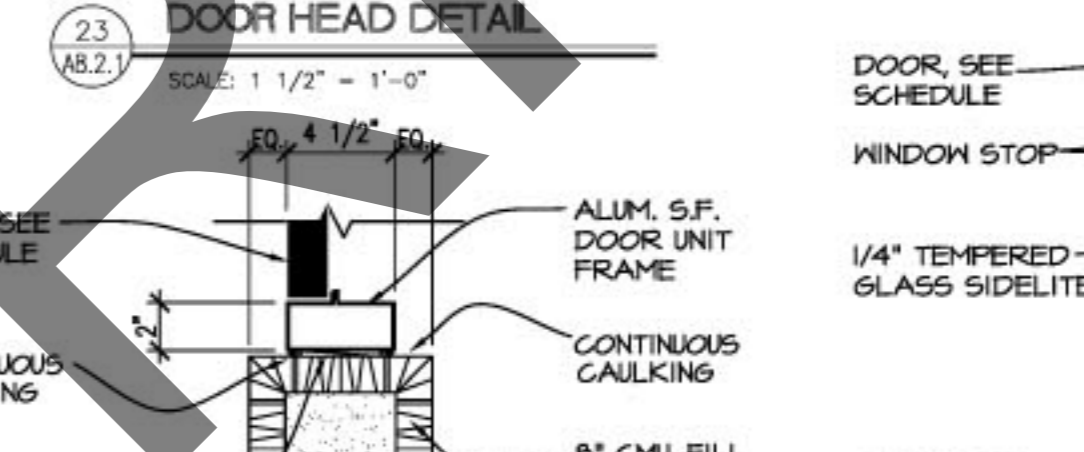
**22 DOOR HEAD DETAIL**  
SCALE: 1 1/2" = 1'-0"



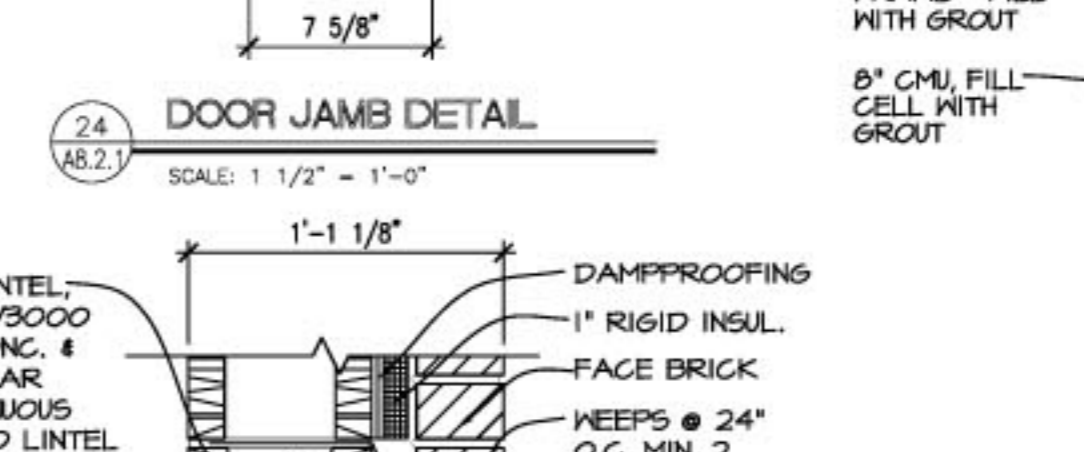
**23 DOOR HEAD DETAIL**  
SCALE: 1 1/2" = 1'-0"



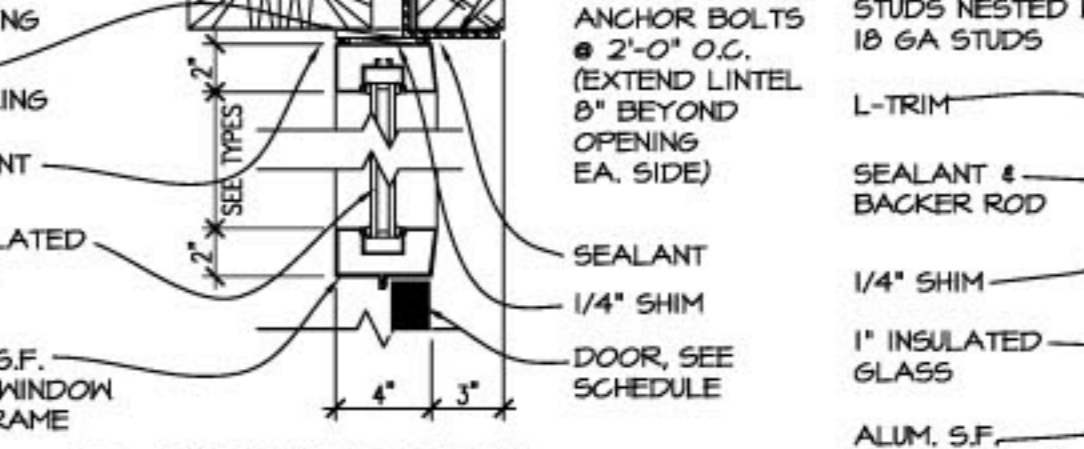
**24 DOOR HEAD DETAIL**  
SCALE: 1 1/2" = 1'-0"



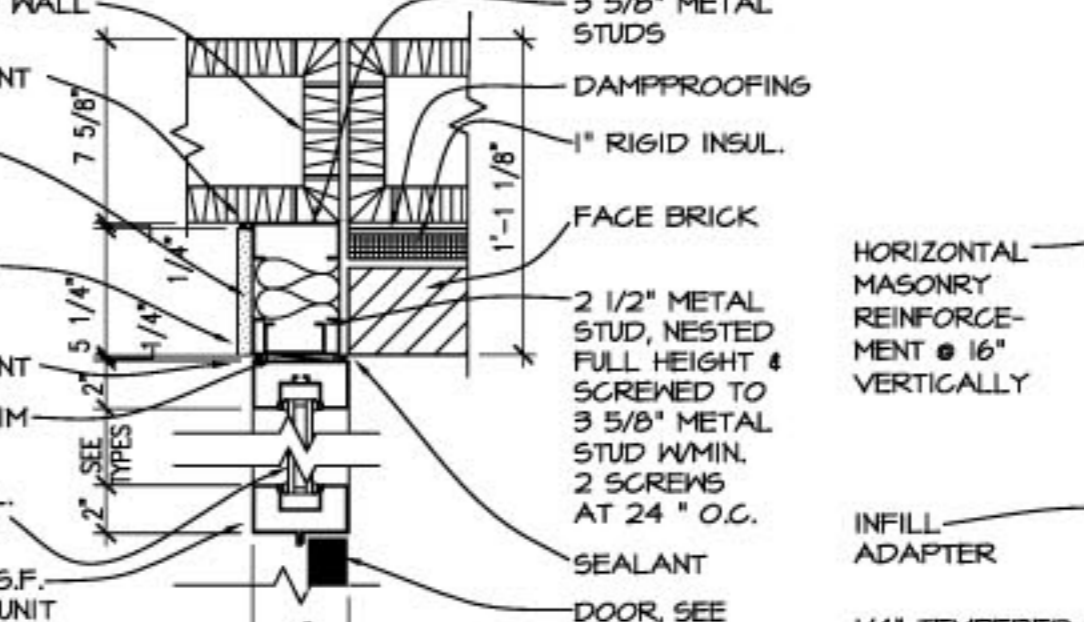
**25 DOOR JAMB DETAIL**  
SCALE: 1 1/2" = 1'-0"



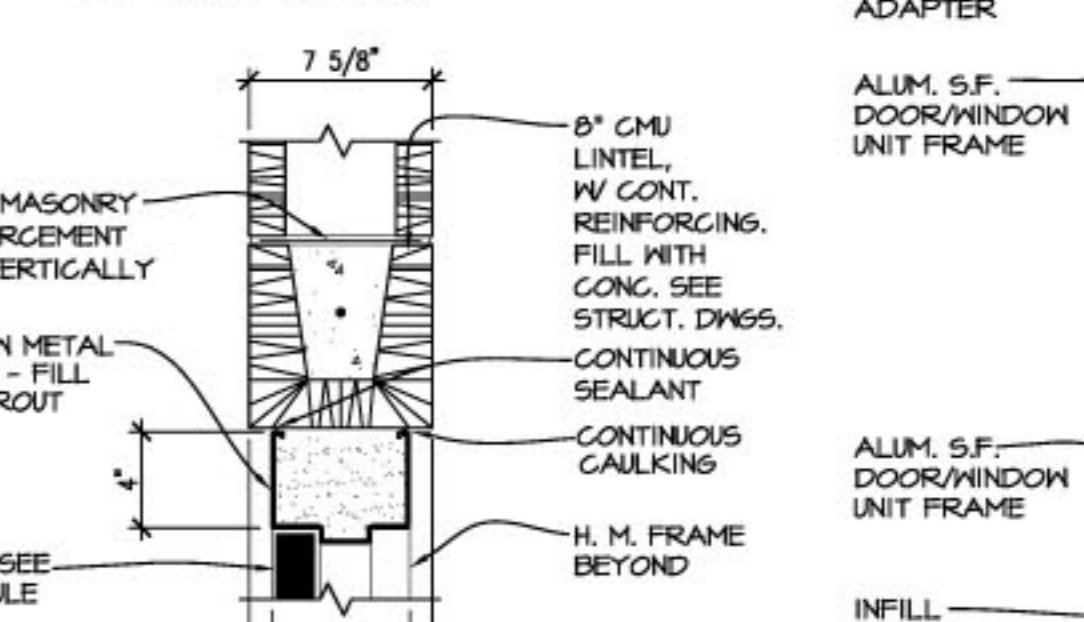
**26 DOOR HEAD DETAIL**  
SCALE: 1 1/2" = 1'-0"



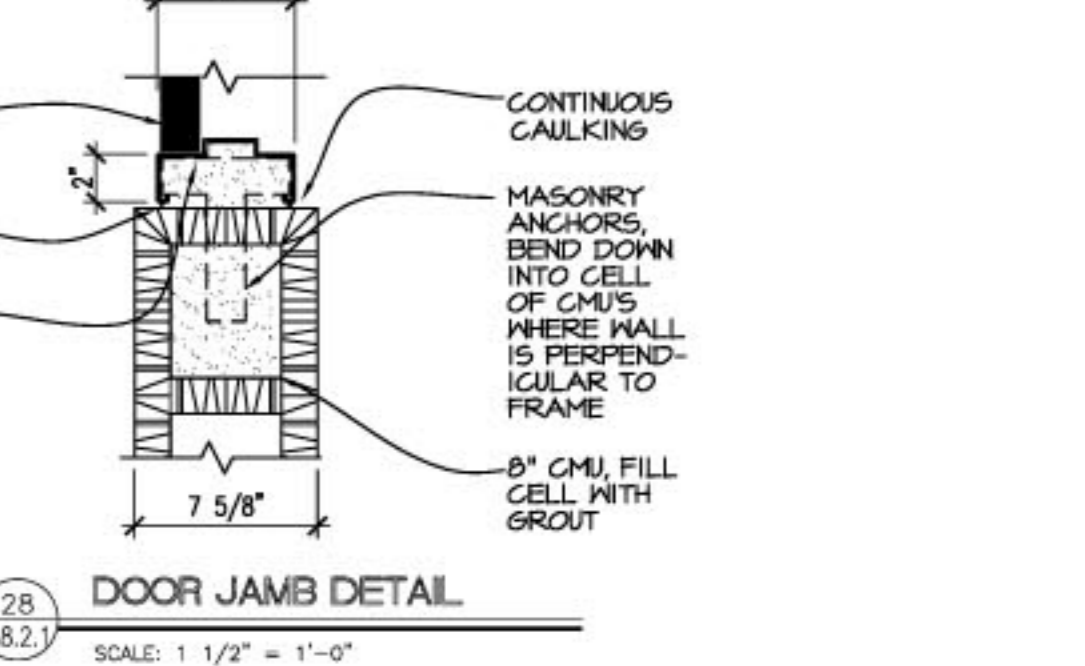
**27 DOOR JAMB DETAIL**  
SCALE: 1 1/2" = 1'-0"



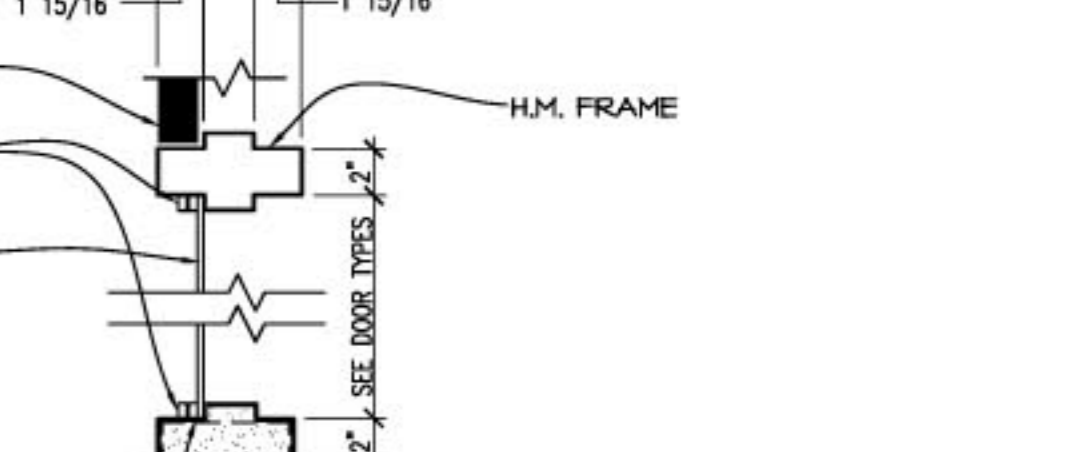
**28 DOOR HEAD DETAIL**  
SCALE: 1 1/2" = 1'-0"



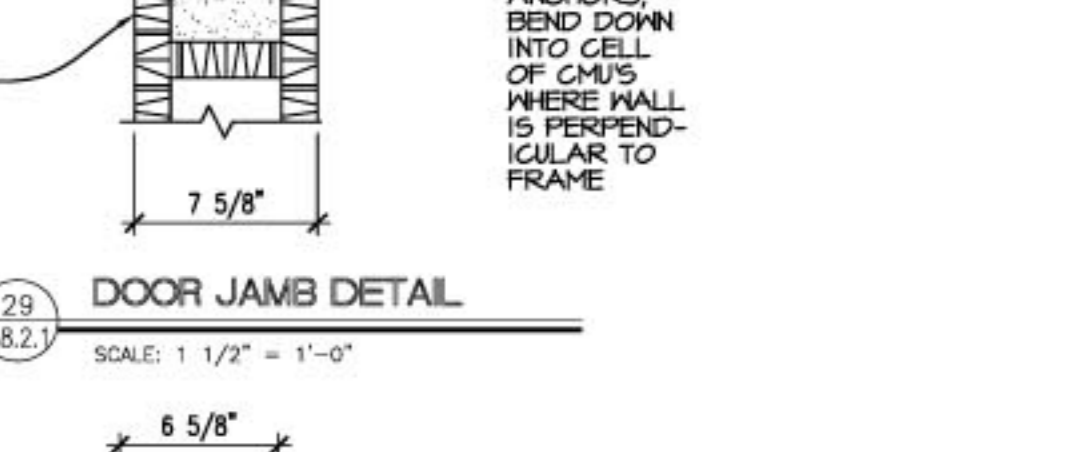
**29 DOOR HEAD DETAIL**  
SCALE: 1 1/2" = 1'-0"



**30 DOOR JAMB DETAIL**  
SCALE: 1 1/2" = 1'-0"



**31 DOOR HEAD DETAIL**  
SCALE: 1 1/2" = 1'-0"



**32 DOOR JAMB DETAIL**  
SCALE: 1 1/2" = 1'-0"