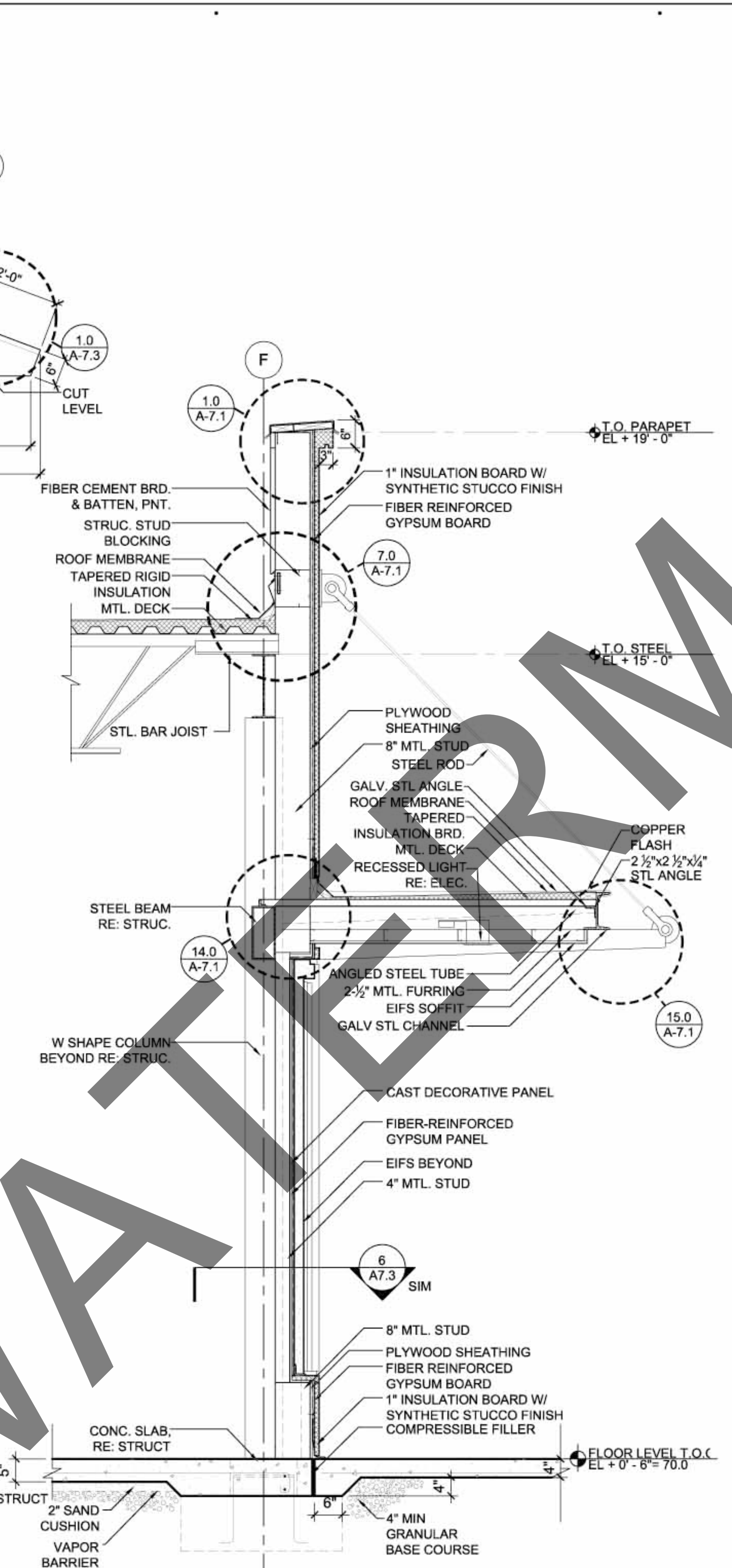
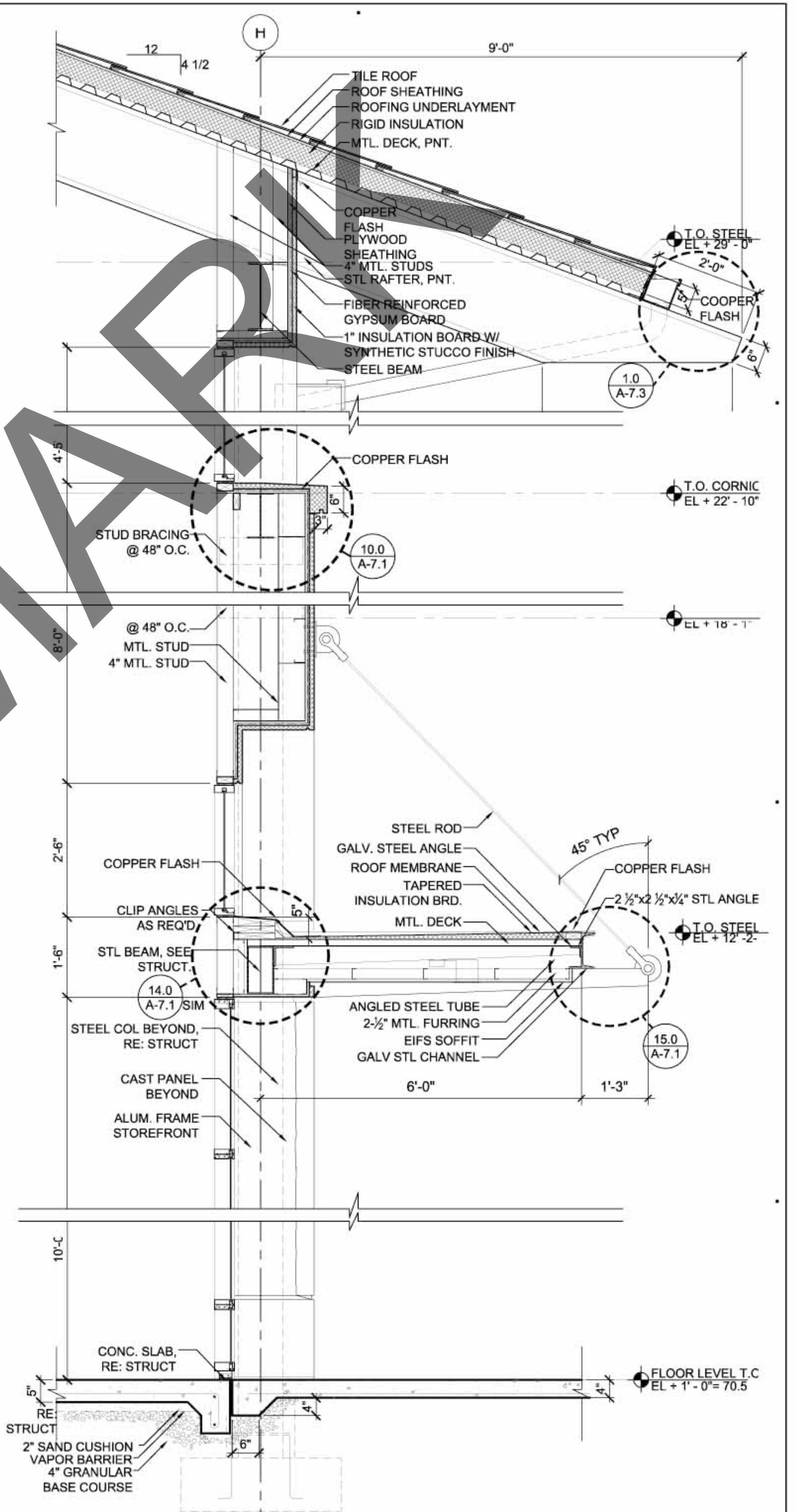


1 HA WALLSECTION GRID 12 @ H/H.5
SCALE: 3/4" = 1'-0"



2 HA WALLSECTION GRID F @ 4
SCALE: 3/4" = 1'-0"



3 HA WALLSECTION GRID H @ 14
SCALE: 3/4" = 1'-0"

A-3.4