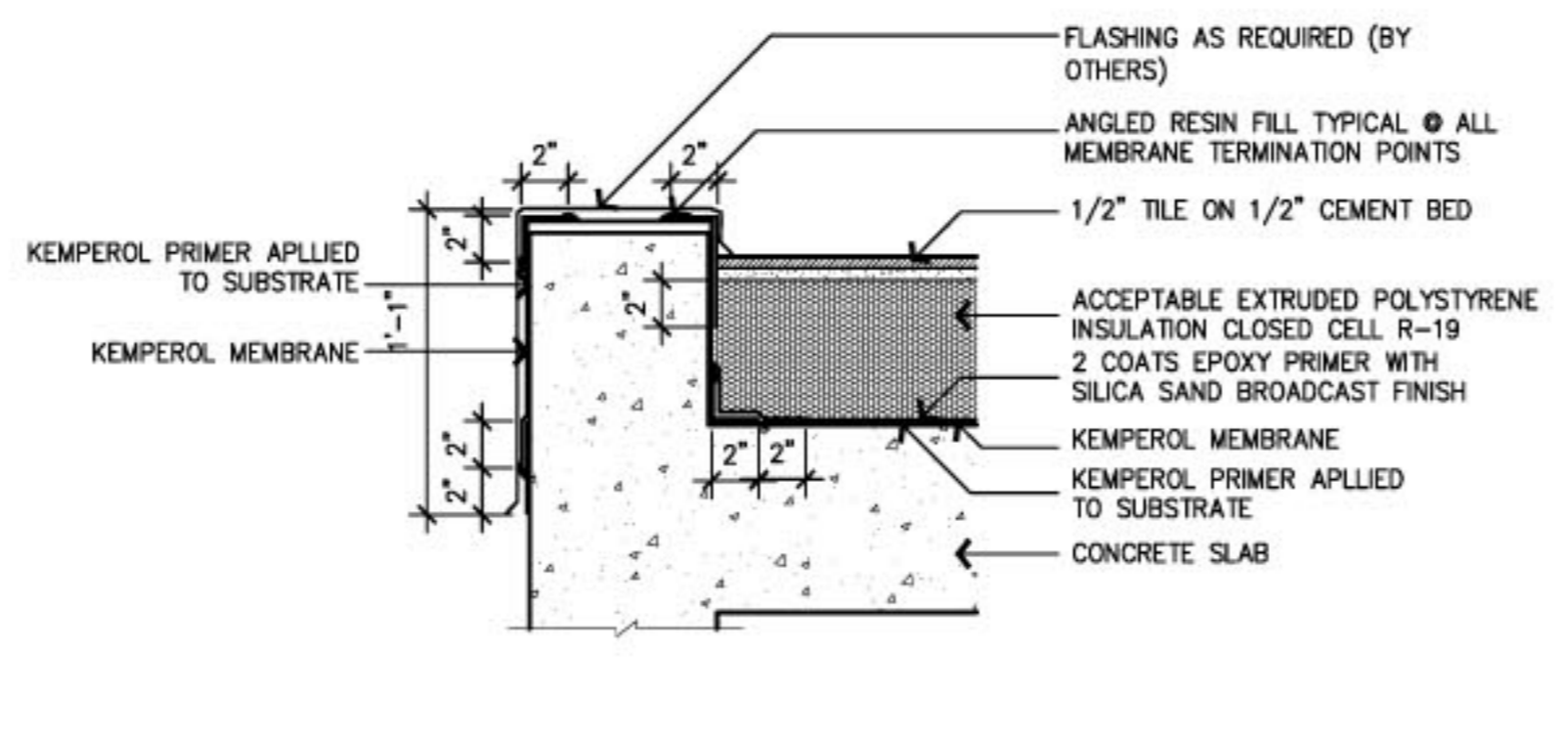
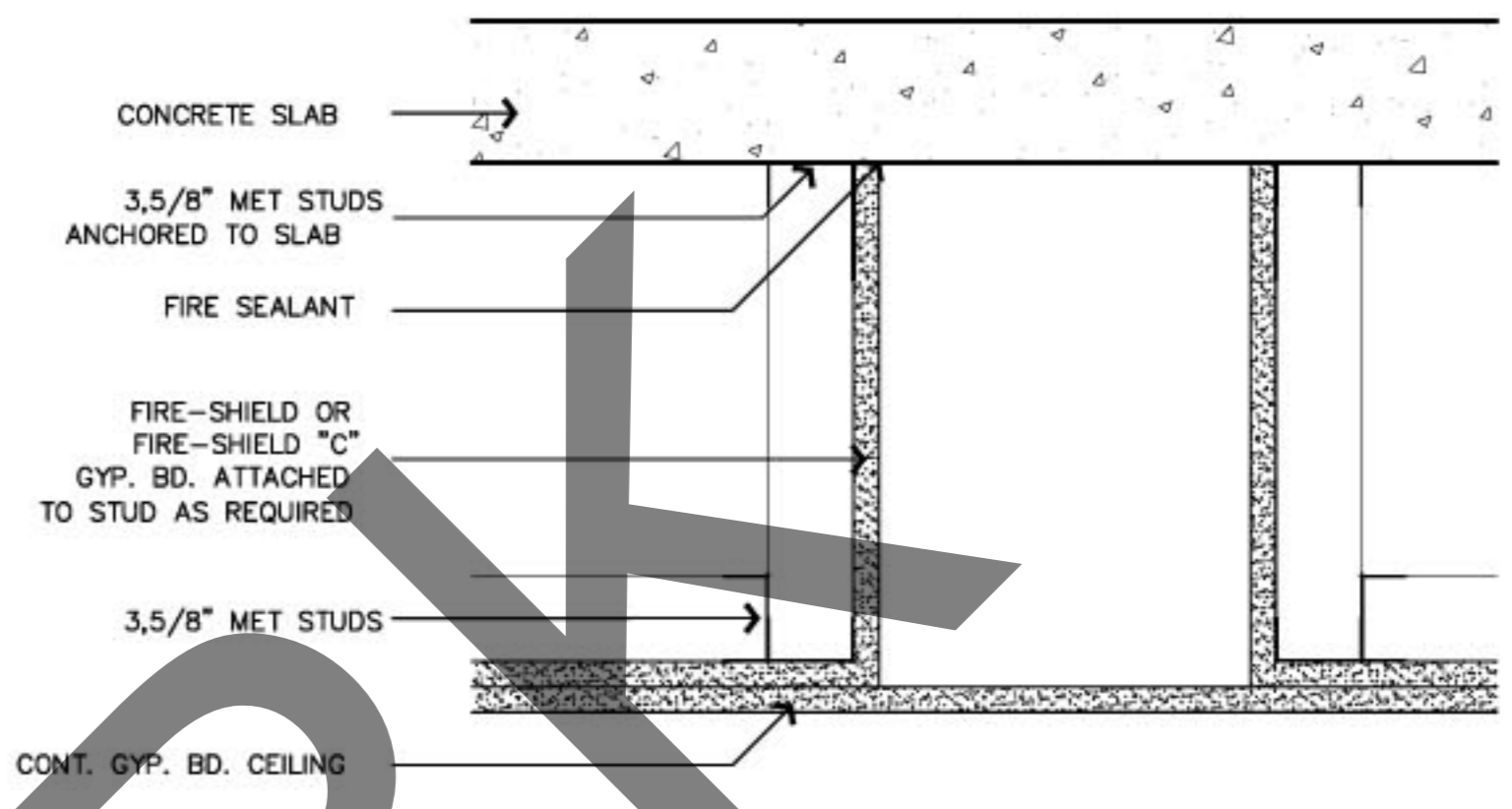


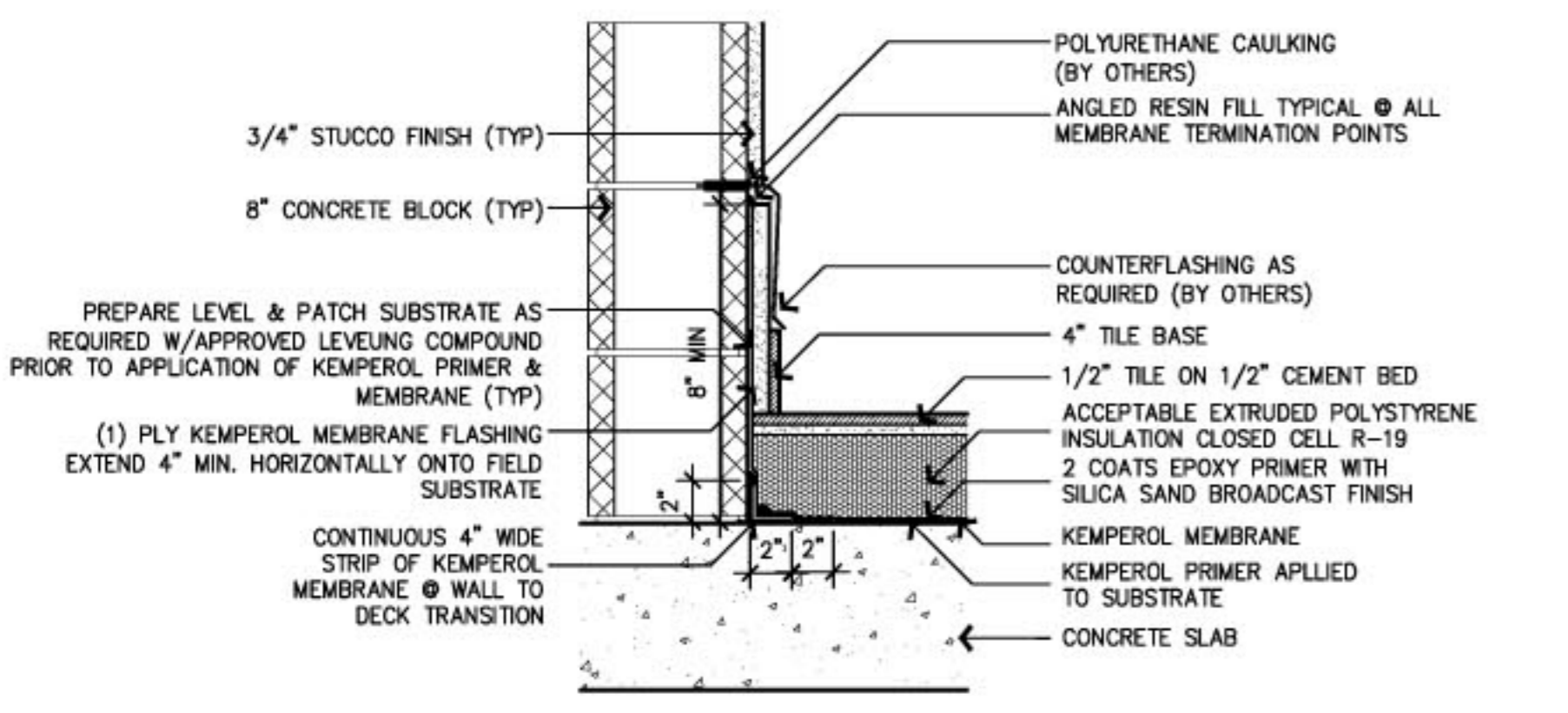
1 BALCONY DETAIL
SCALE 1-1/2"=1'-0"



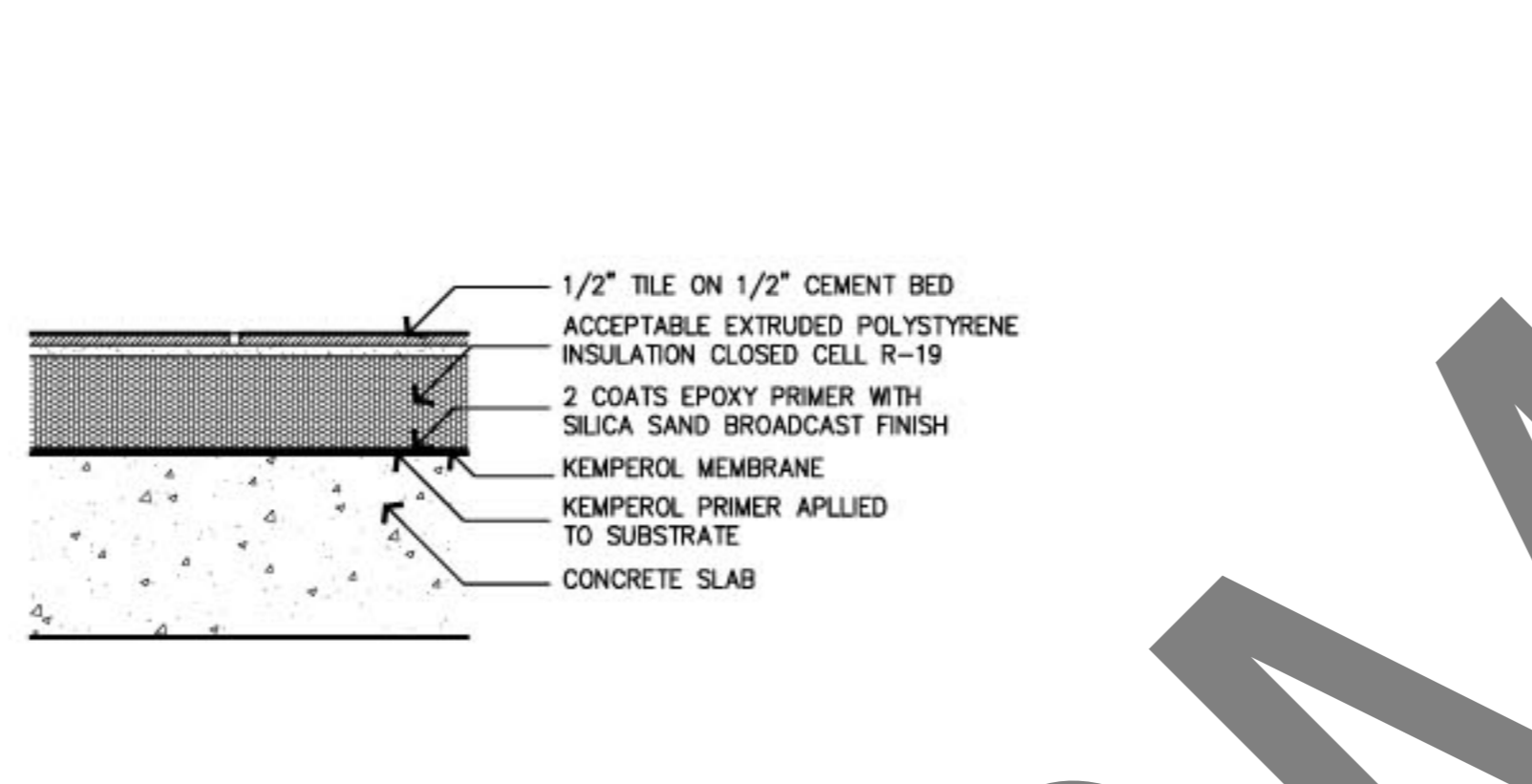
2 ROOF DETAIL
SCALE 1-1/2"=1'-0"



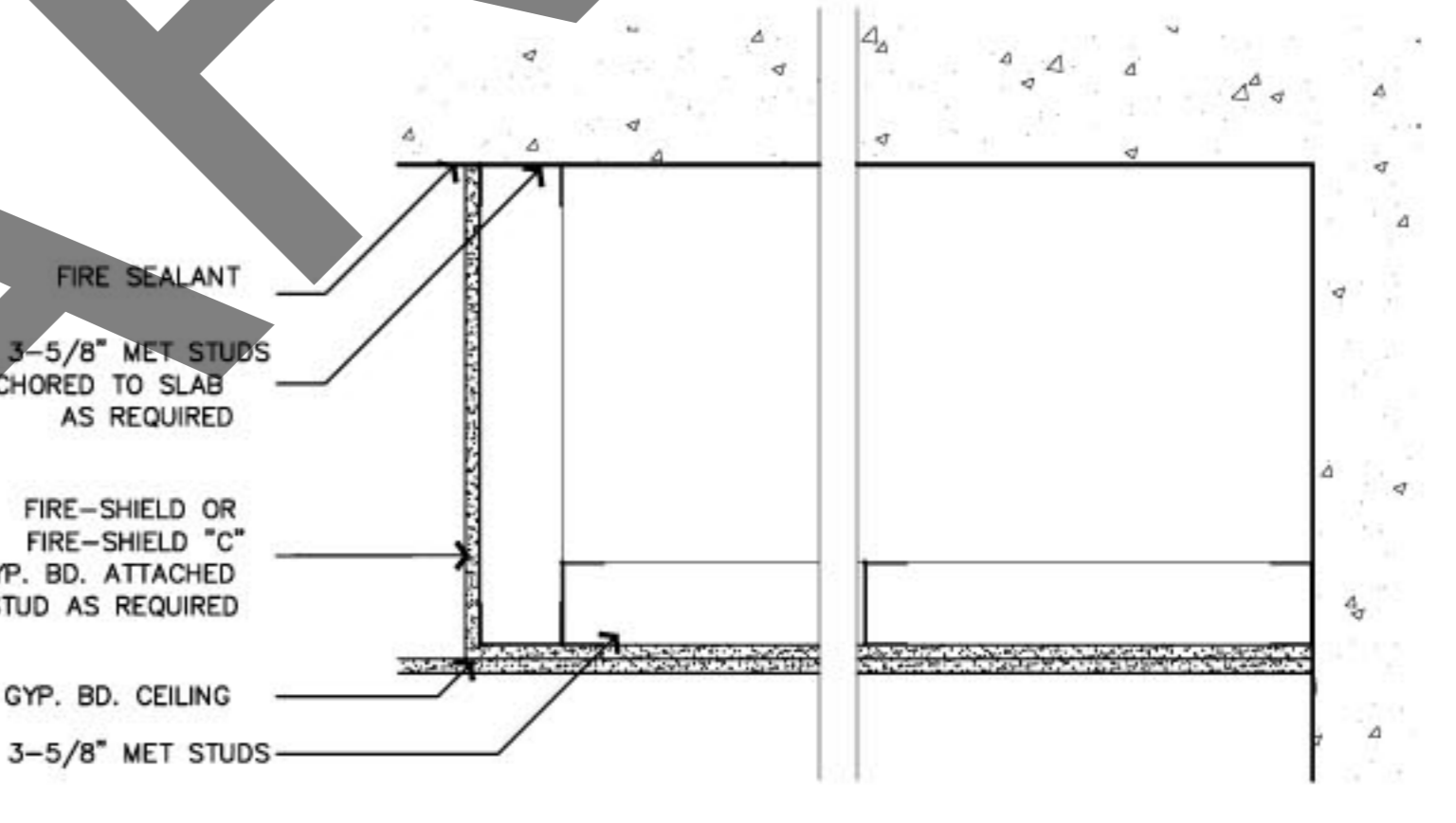
3 SECT. B | HR. FRATED CLG ENCLOS.
SCALE 1-1/2"=1'-0"



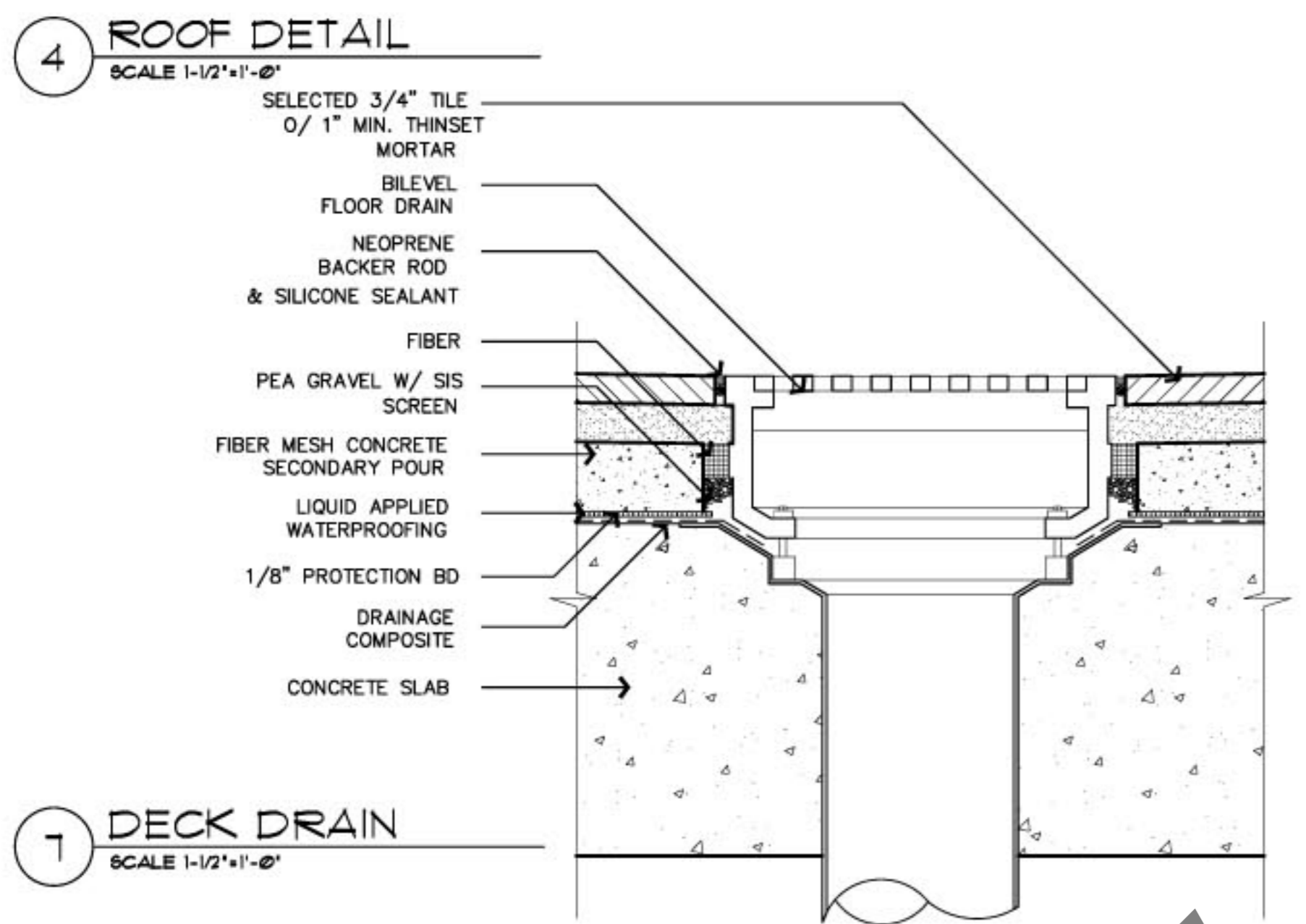
4 ROOF DETAIL
SCALE 1-1/2"=1'-0"



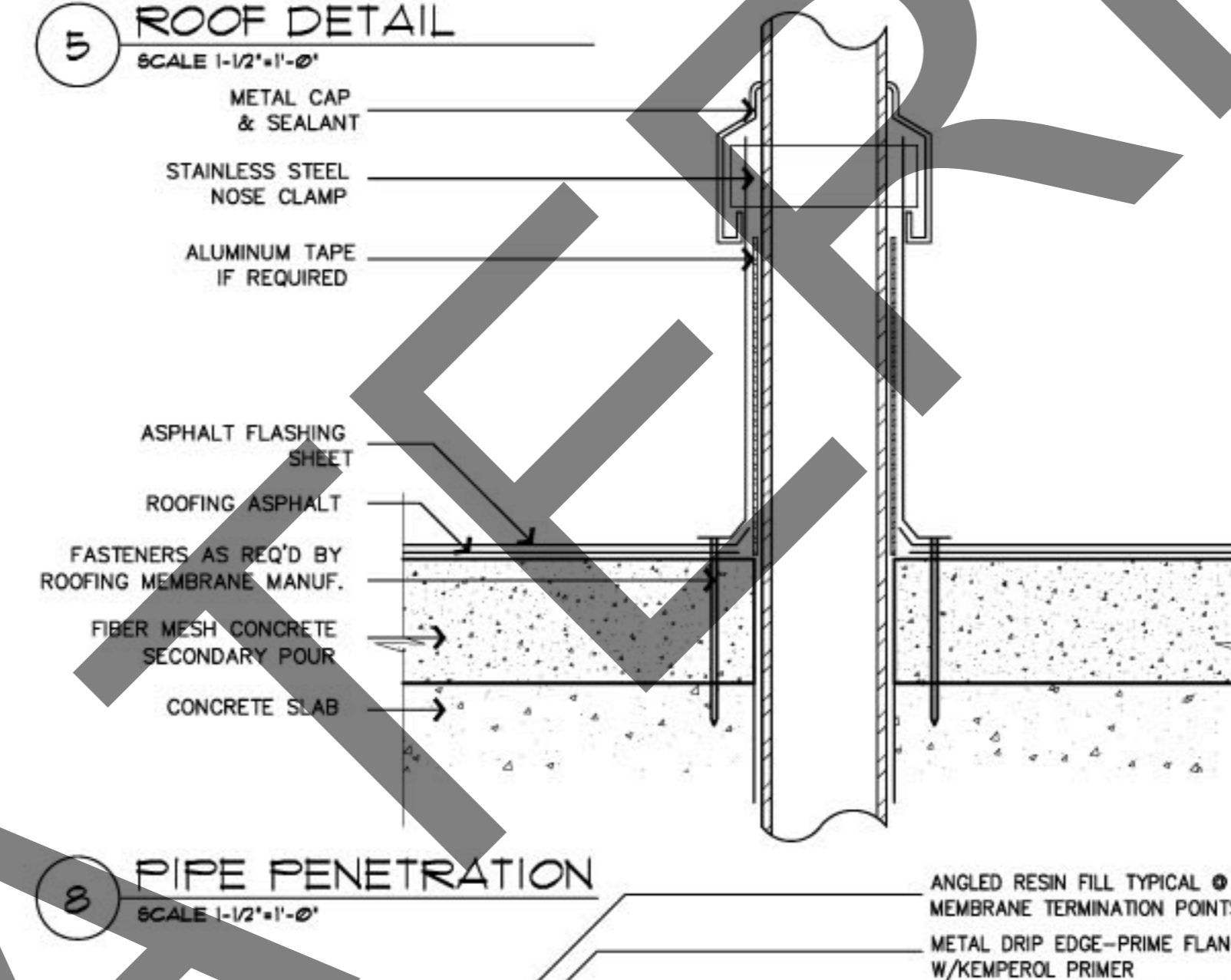
5 ROOF DETAIL
SCALE 1-1/2"=1'-0"



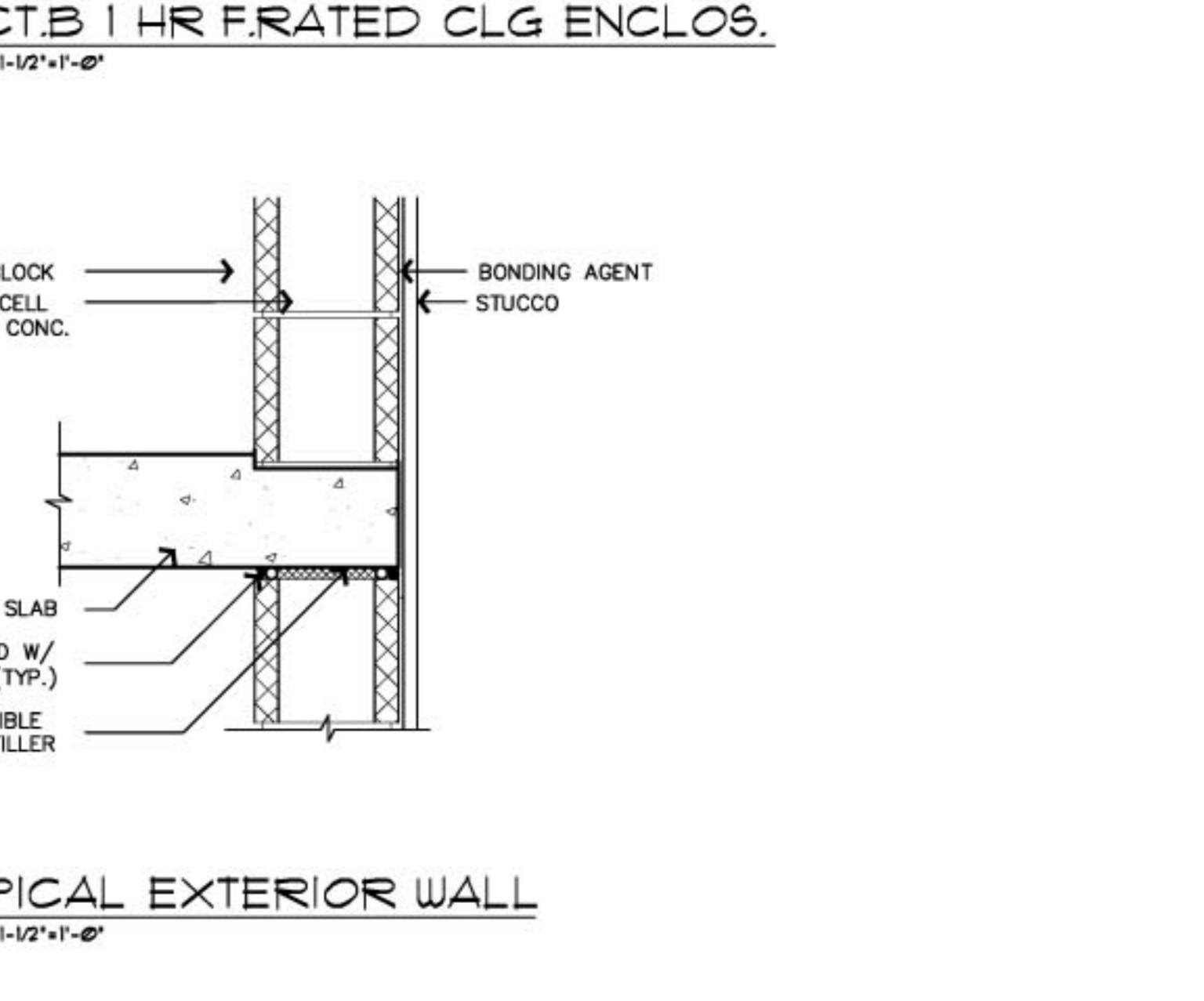
6 SECT. B | HR. FRATED CLG ENCLOS.
SCALE 1-1/2"=1'-0"



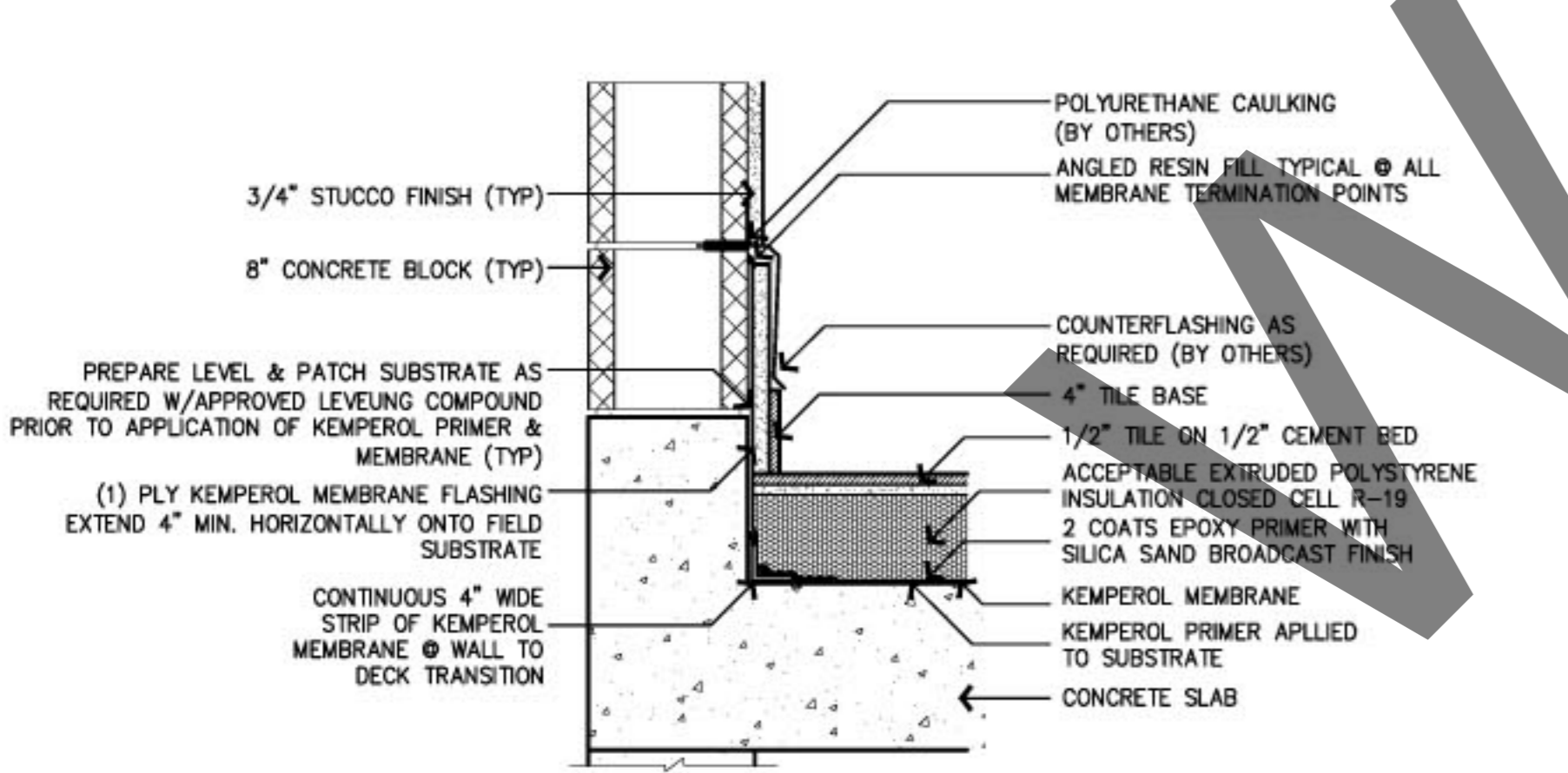
7 DECK DRAIN
SCALE 1-1/2"=1'-0"



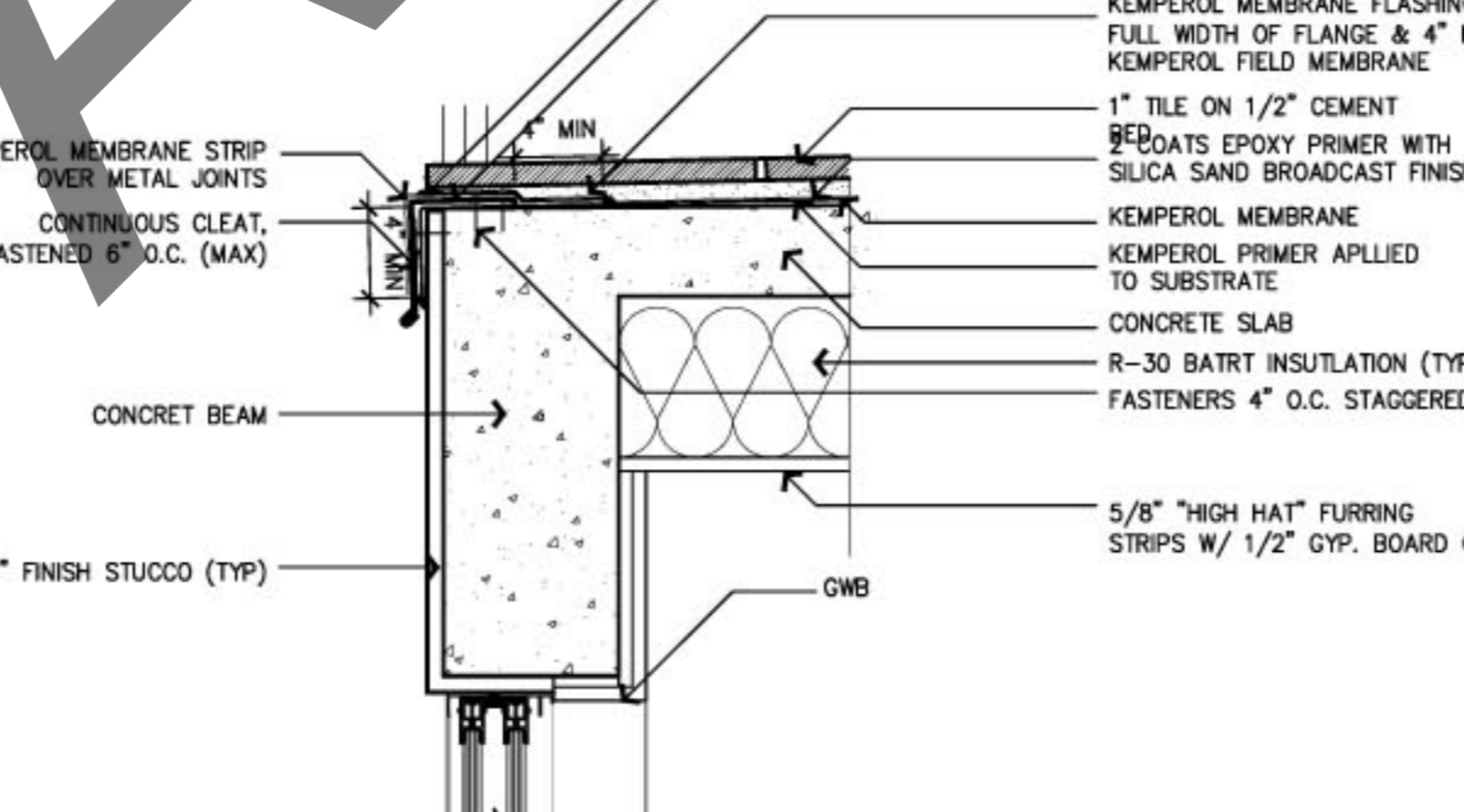
8 PIPE PENETRATION
SCALE 1-1/2"=1'-0"



9 TYPICAL EXTERIOR WALL
SCALE 1-1/2"=1'-0"



10 ROOF DETAIL
SCALE 1-1/2"=1'-0"



11 BALCONY DETAIL
SCALE 1-1/2"=1'-0"

DRAWN BY:
C.P.
CHECKED BY:
ARI SKLAR

LOFT UNITS 3-4
REFLECT. CLG. PLAN

A-7.1

DATE :