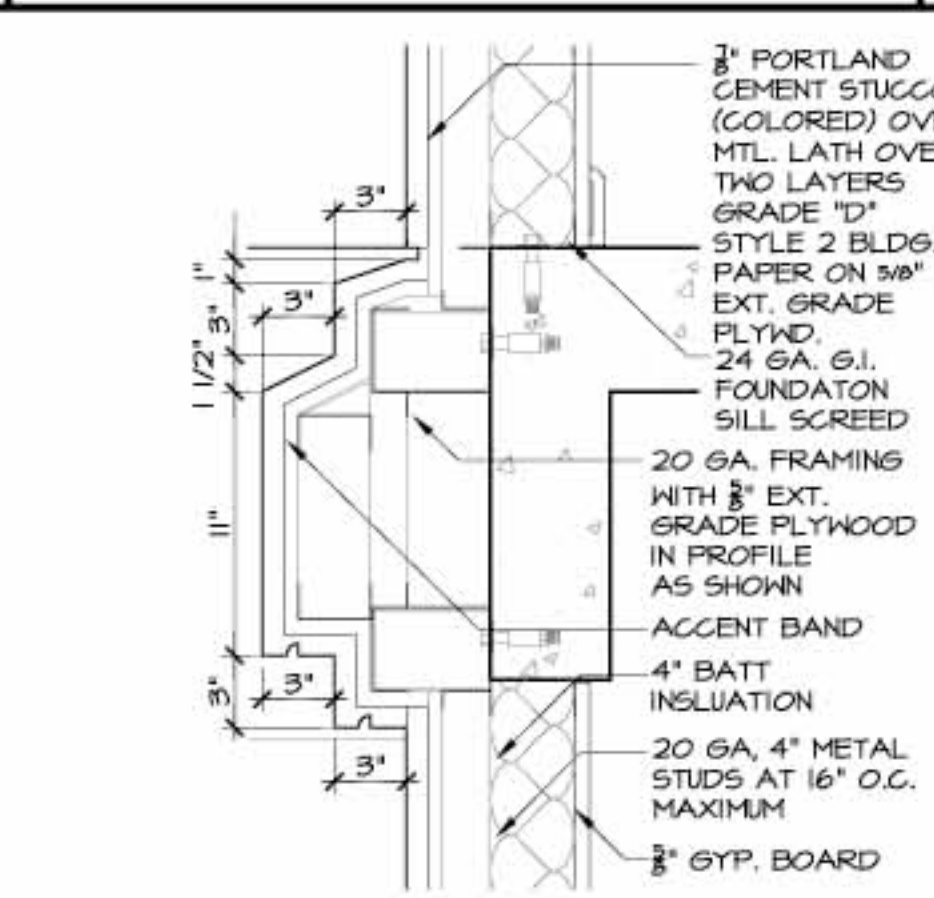
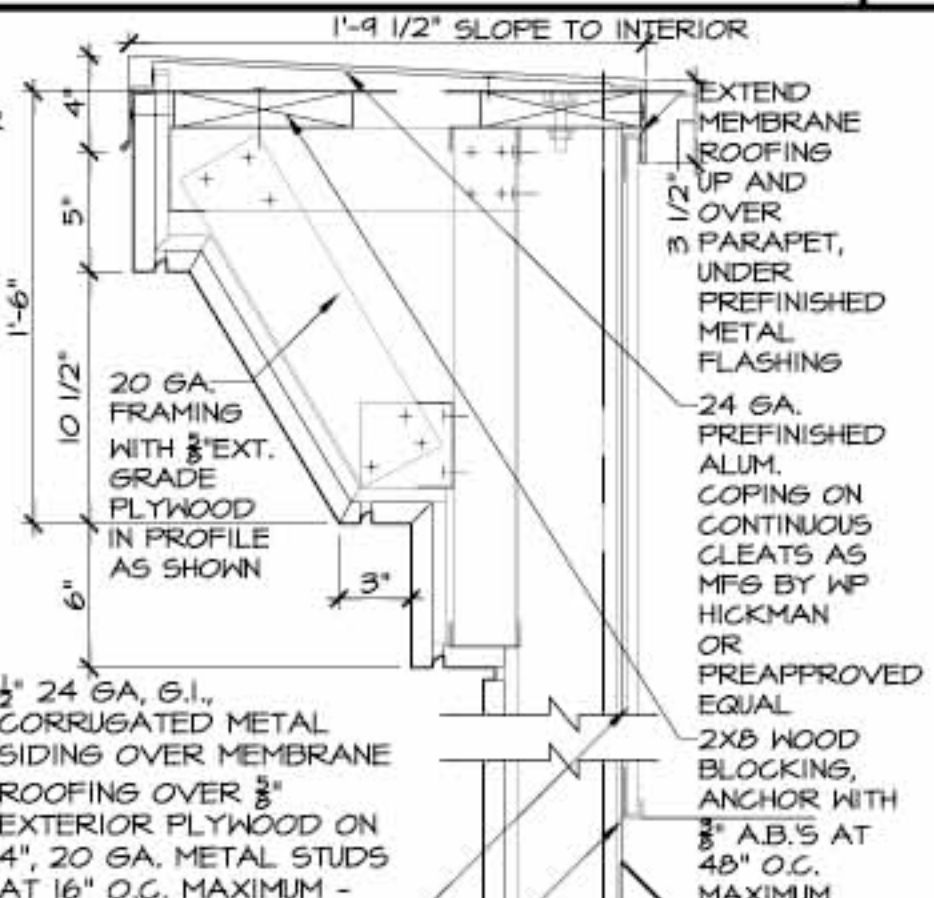


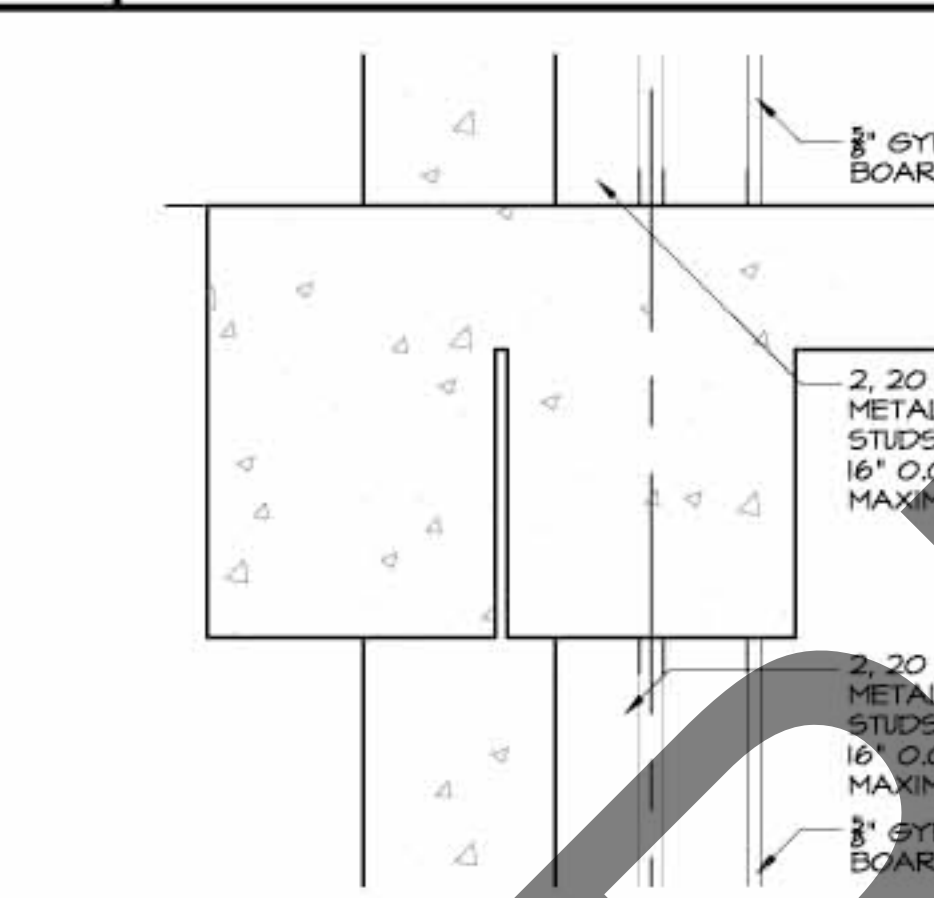
3.4 SECTION DETAIL
 SCALE: 1/2" = 1'-0"



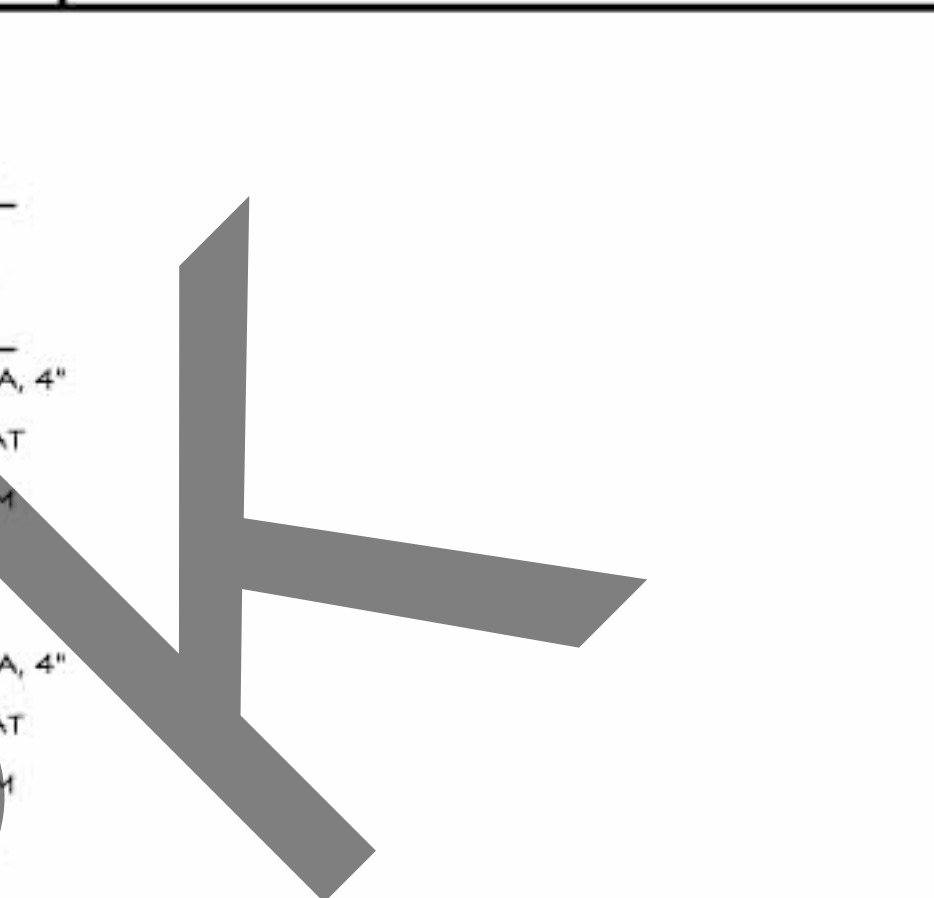
3.5 ACCENT BAND DETAIL
 SCALE: 1/2" = 1'-0"



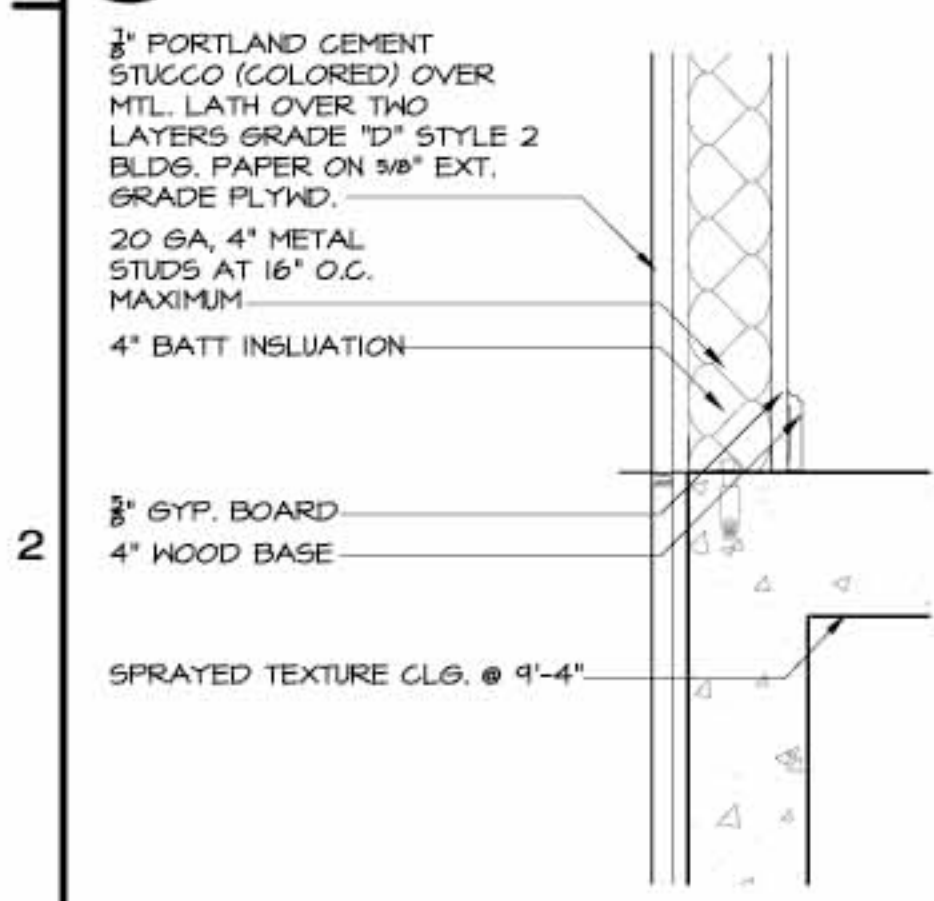
3.7 SECTION DETAIL
 SCALE: 1/2" = 1'-0"



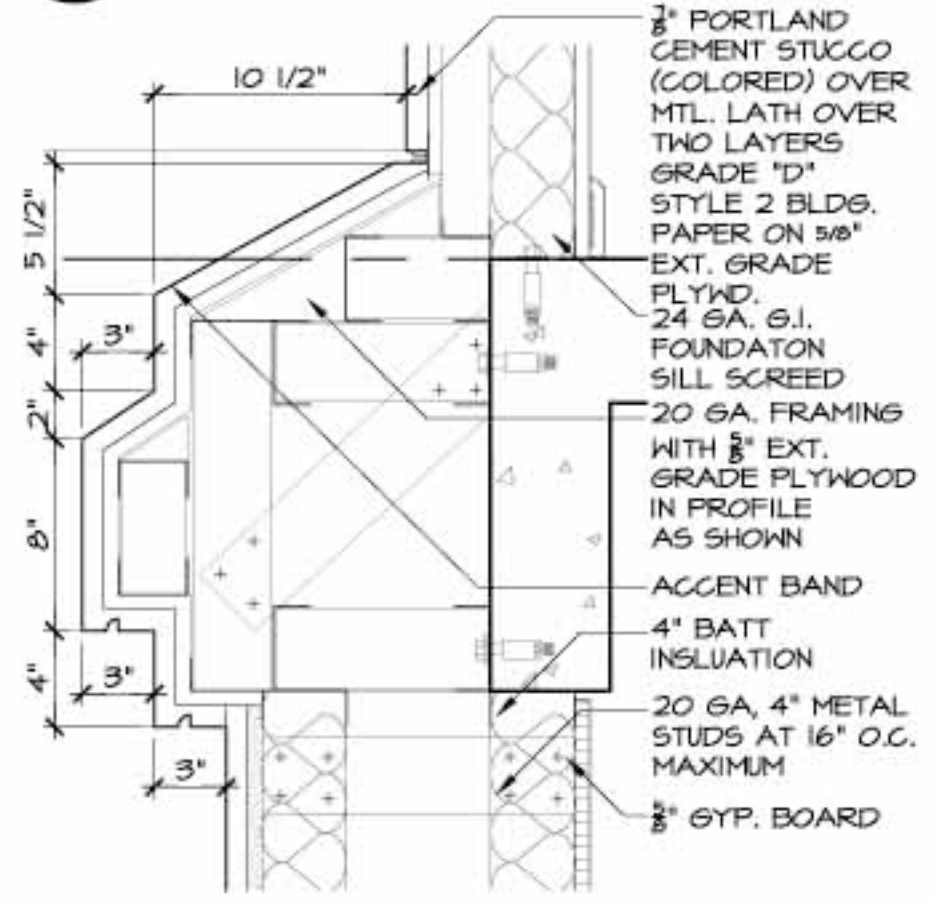
3.8 SECTION DETAIL
 SCALE: 1/2" = 1'-0"



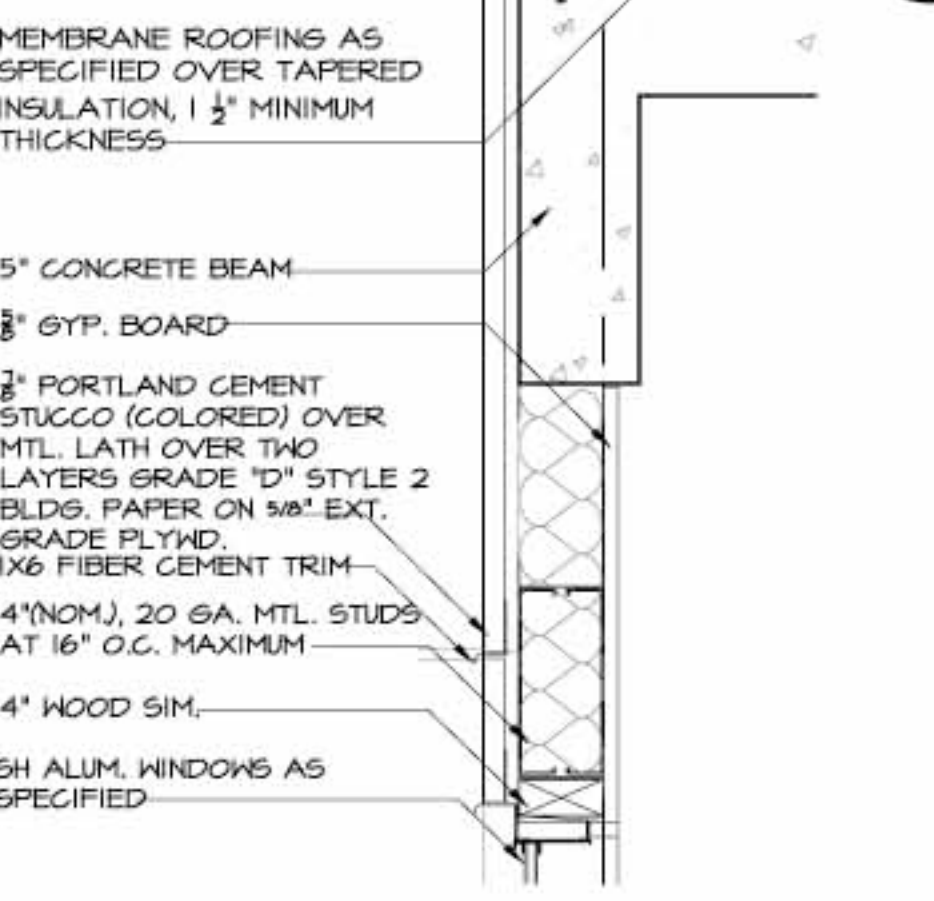
3.9 SECTION DETAIL
 SCALE: 1/2" = 1'-0"



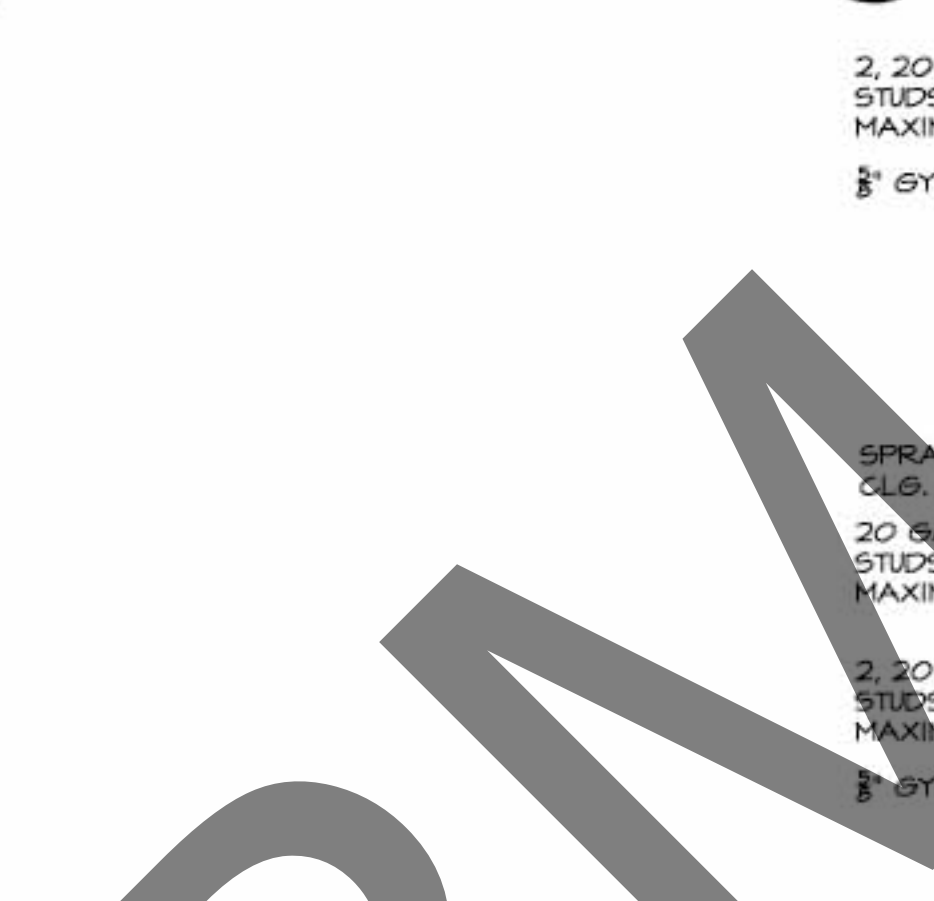
2.4 SECTION DETAIL
 SCALE: 1/2" = 1'-0"



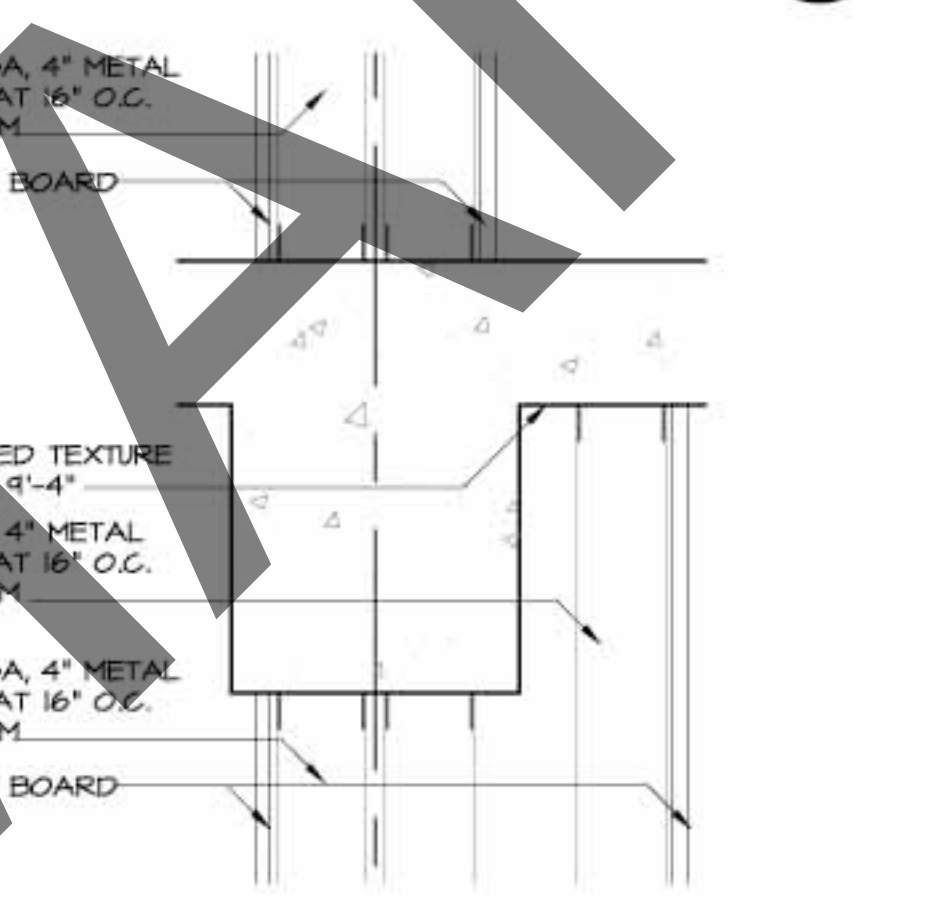
2.5 ACCENT BAND DETAIL
 SCALE: 1/2" = 1'-0"



2.6 ACCENT BAND DETAIL
 SCALE: 1/2" = 1'-0"



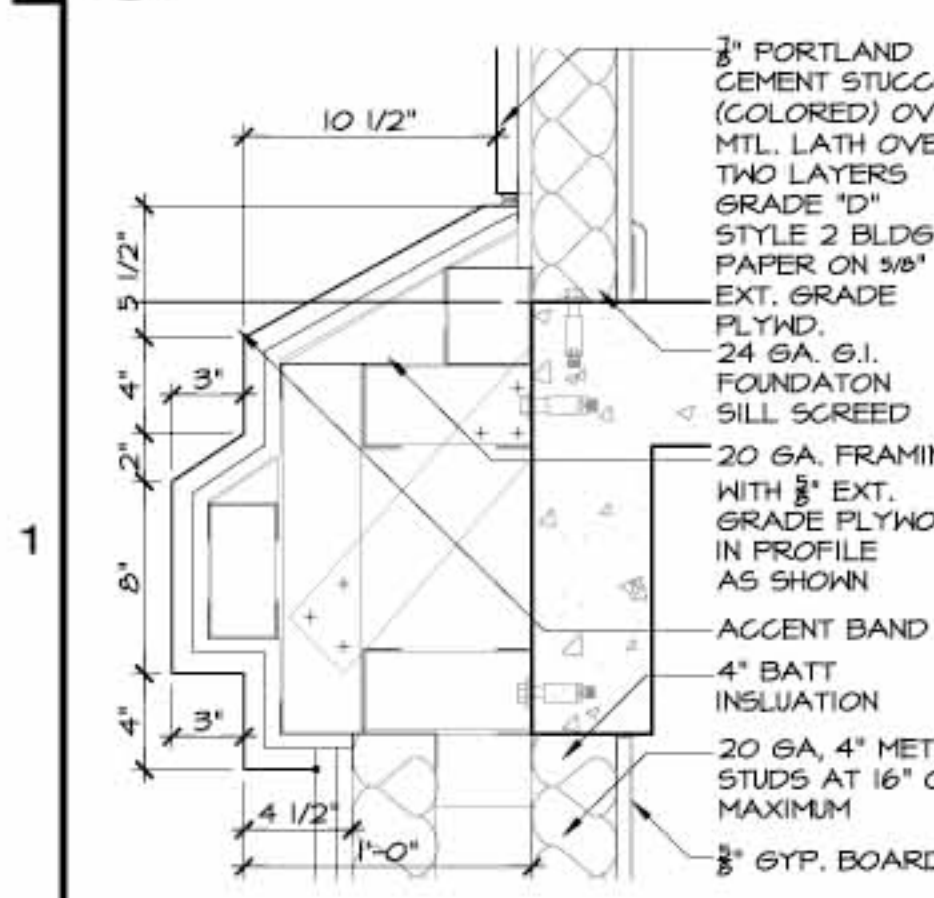
2.7 SECTION DETAIL
 SCALE: 1/2" = 1'-0"



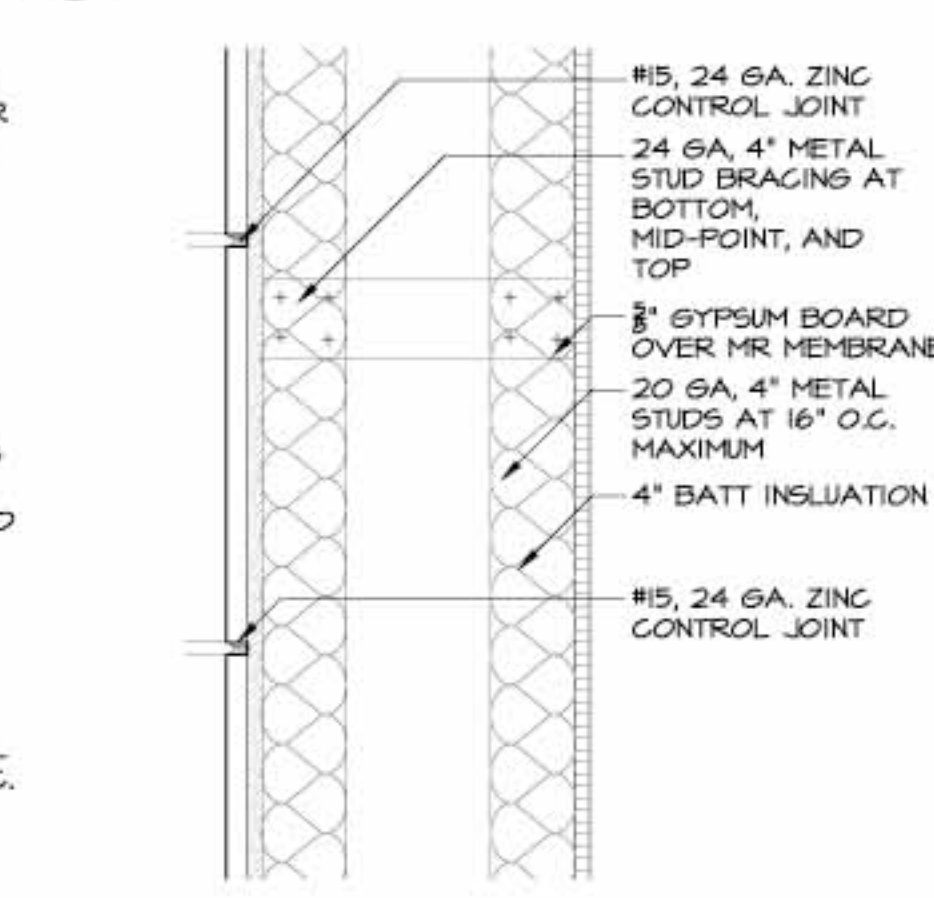
2.8 SECTION DETAIL
 SCALE: 1/2" = 1'-0"



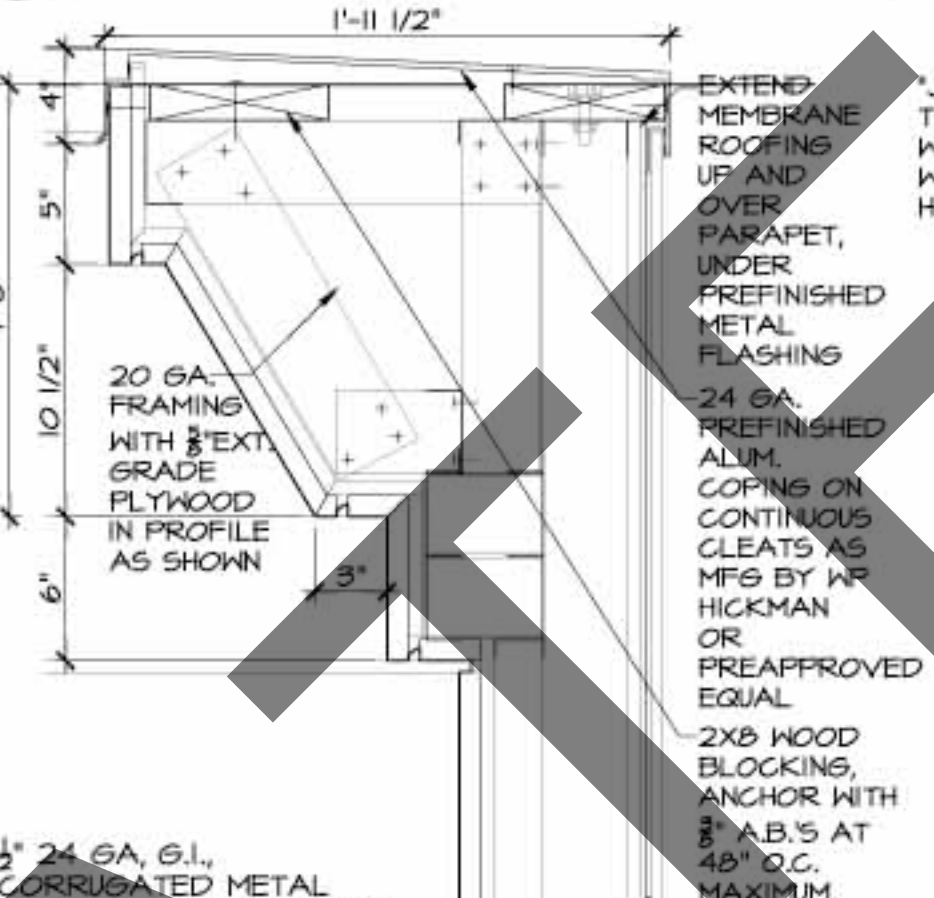
2.9 SECTION DETAIL
 SCALE: 1/2" = 1'-0"



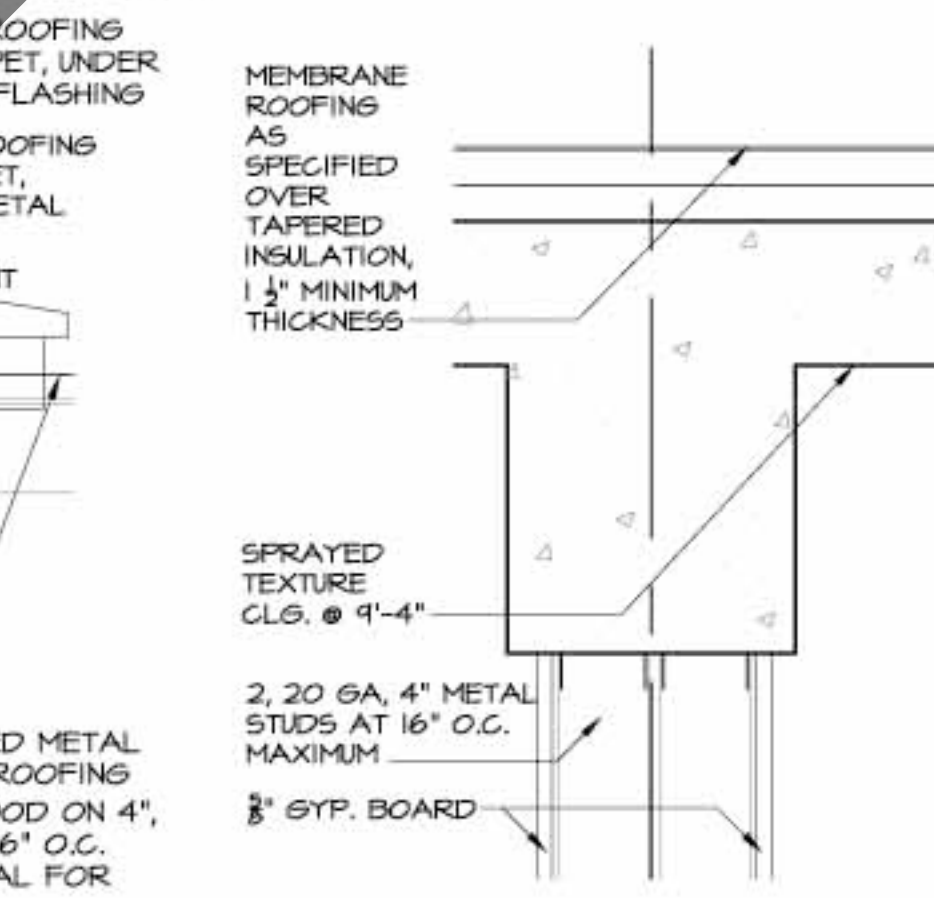
1.4 ACCENT BAND DETAIL
 SCALE: 1/2" = 1'-0"



1.5 SECTION DETAIL
 SCALE: 1/2" = 1'-0"



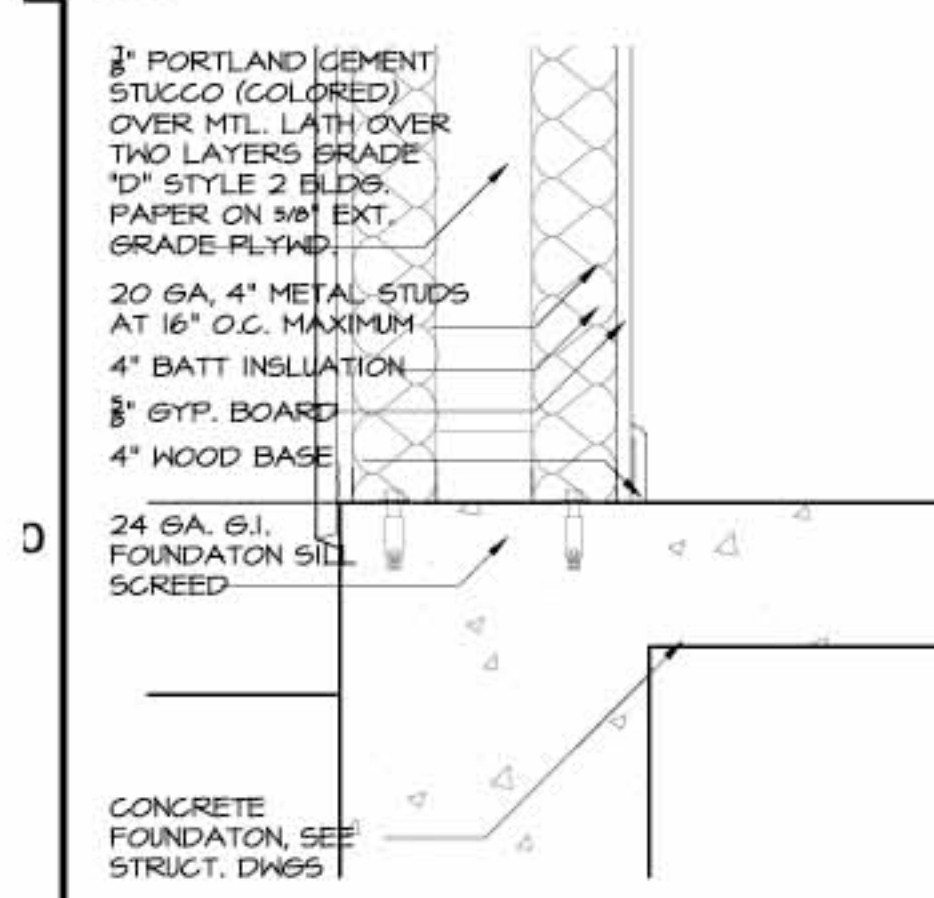
1.7 ROOF CAP DETAIL
 SCALE: 1/2" = 1'-0"



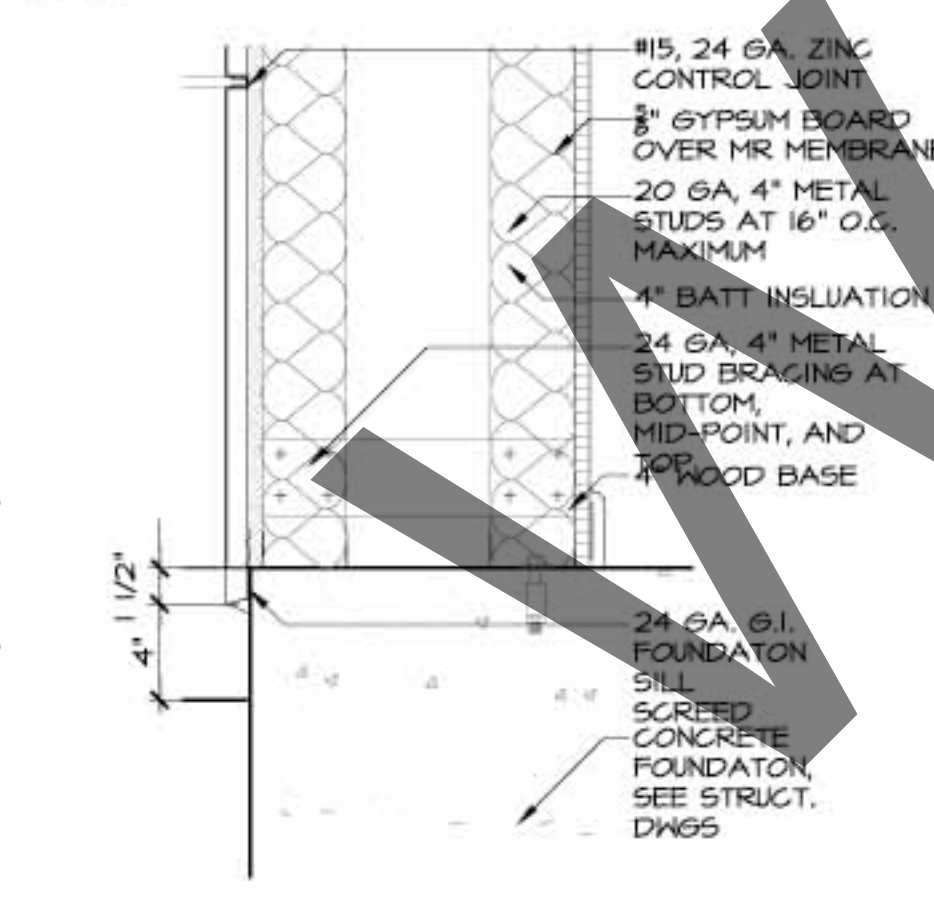
1.8 SECTION DETAIL
 SCALE: 1/2" = 1'-0"



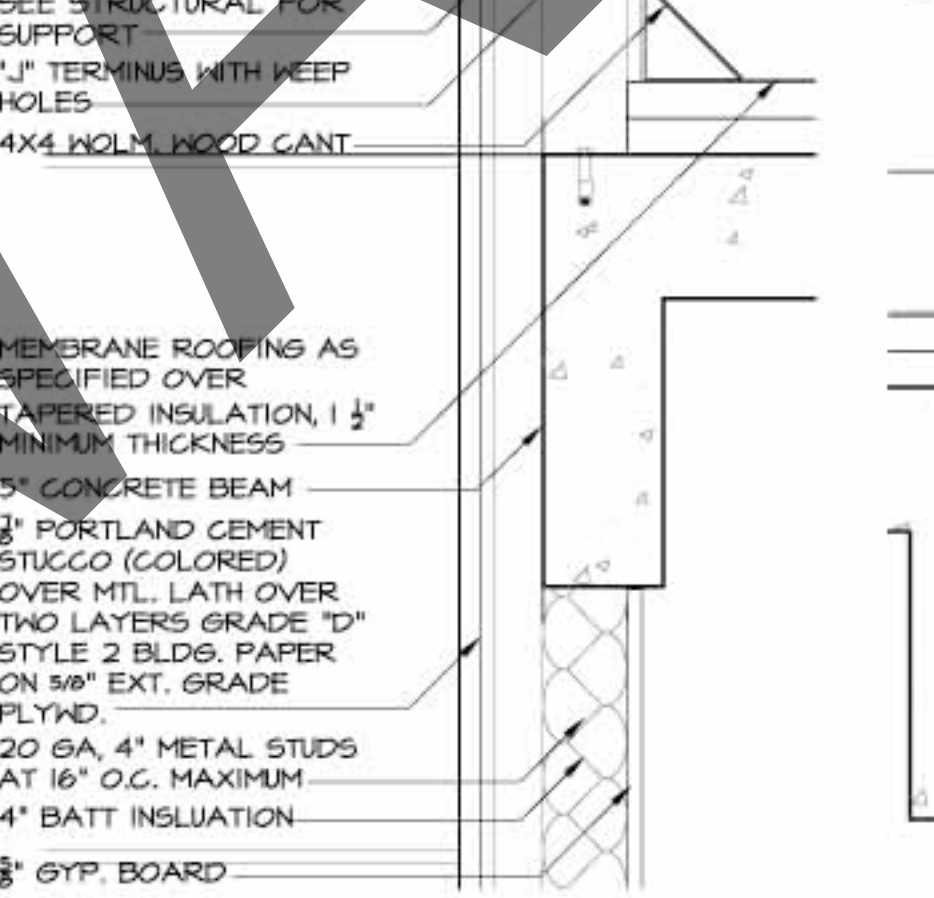
1.9 SECTION DETAIL
 SCALE: 1/2" = 1'-0"



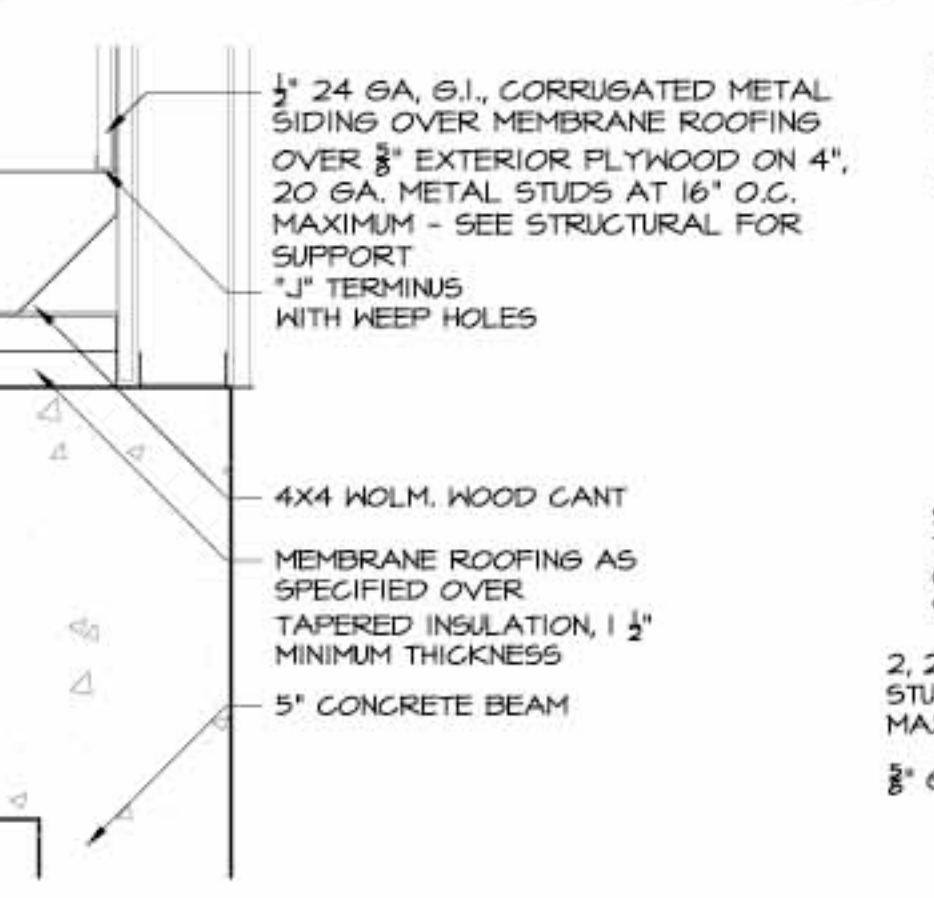
0.4 FOUNDATION SILL
 SCALE: 1/2" = 1'-0"



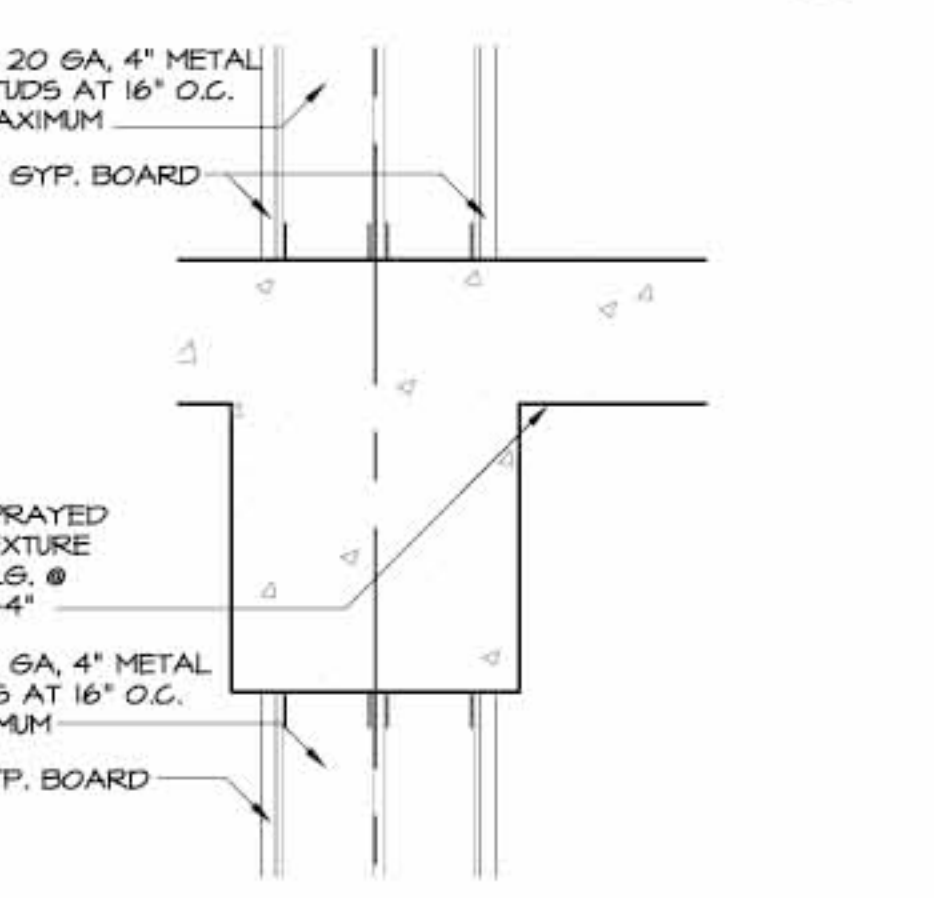
0.5 FOUNDATION SILL
 SCALE: 1/2" = 1'-0"



0.6 ACCENT BAND DETAIL
 SCALE: 1/2" = 1'-0"



0.7 SECTION DETAIL
 SCALE: 1/2" = 1'-0"



0.8 SECTION DETAIL
 SCALE: 1/2" = 1'-0"



0.9 SECTION DETAIL
 SCALE: 1/2" = 1'-0"

REVISIONS		DATE	
NO.	DATE	PROJ. NO.	
		SHEET	
		A13.2	
		OF XA SHEETS	