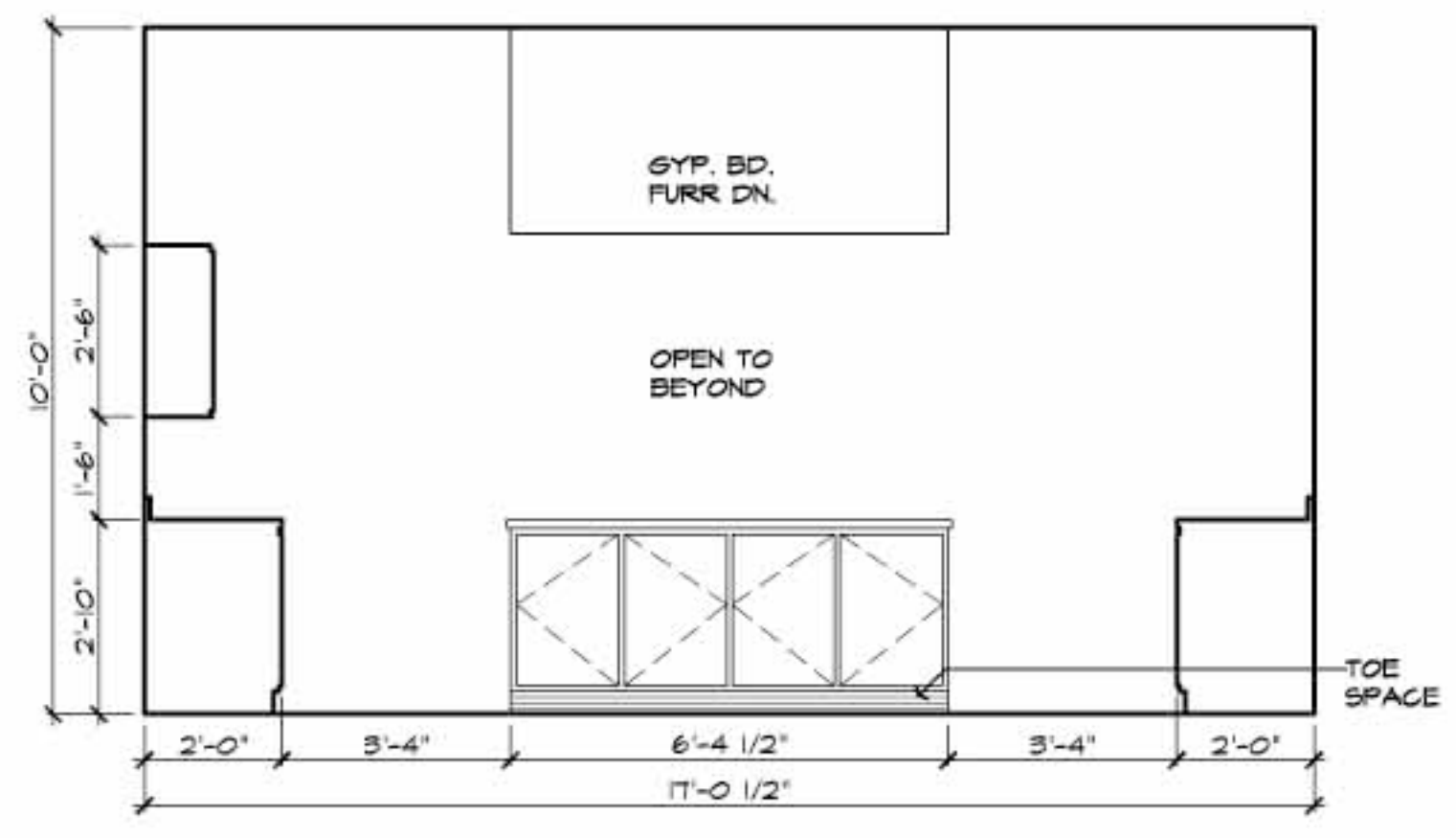
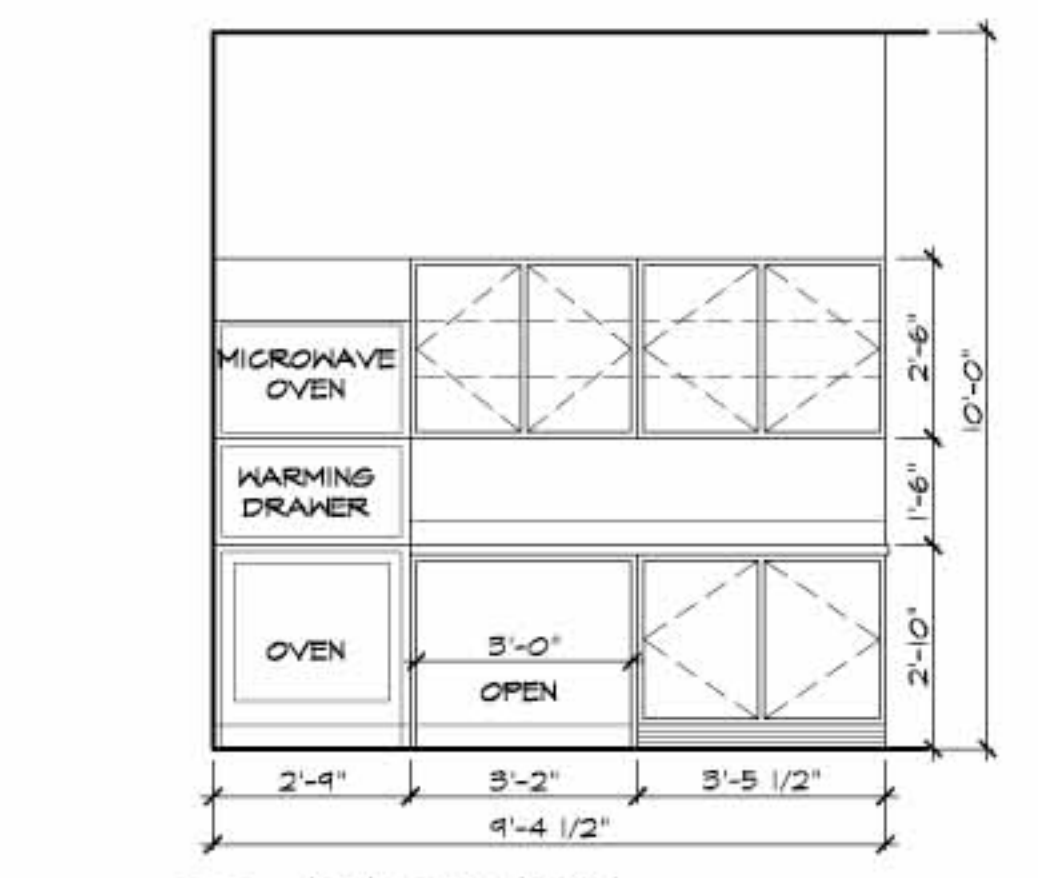


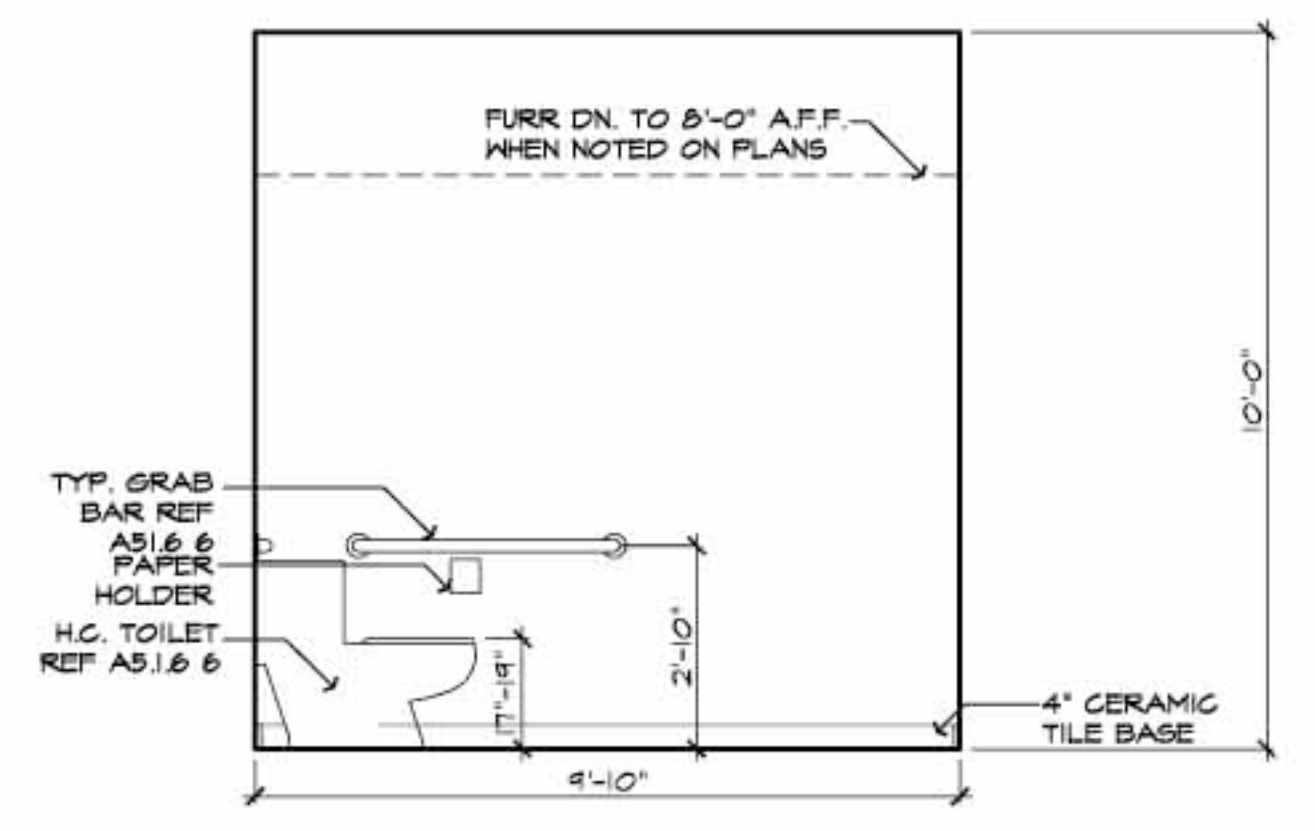
K MEN'S CLUB
3/8' = 1" = 0'



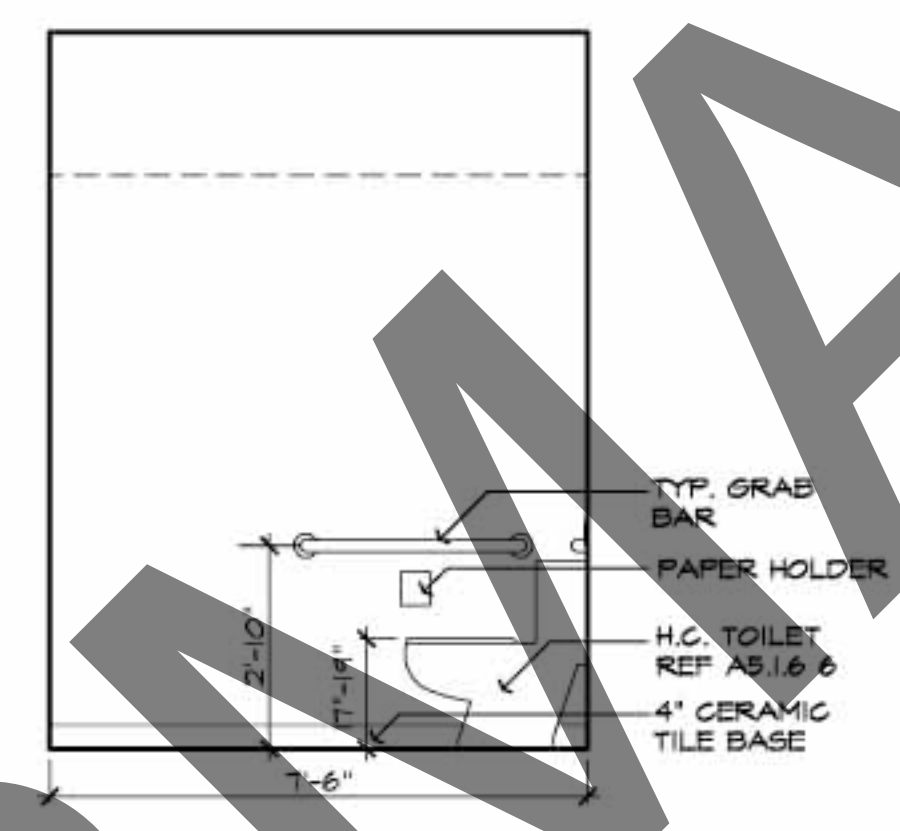
G KITCHEN
3/8' = 1" = 0'



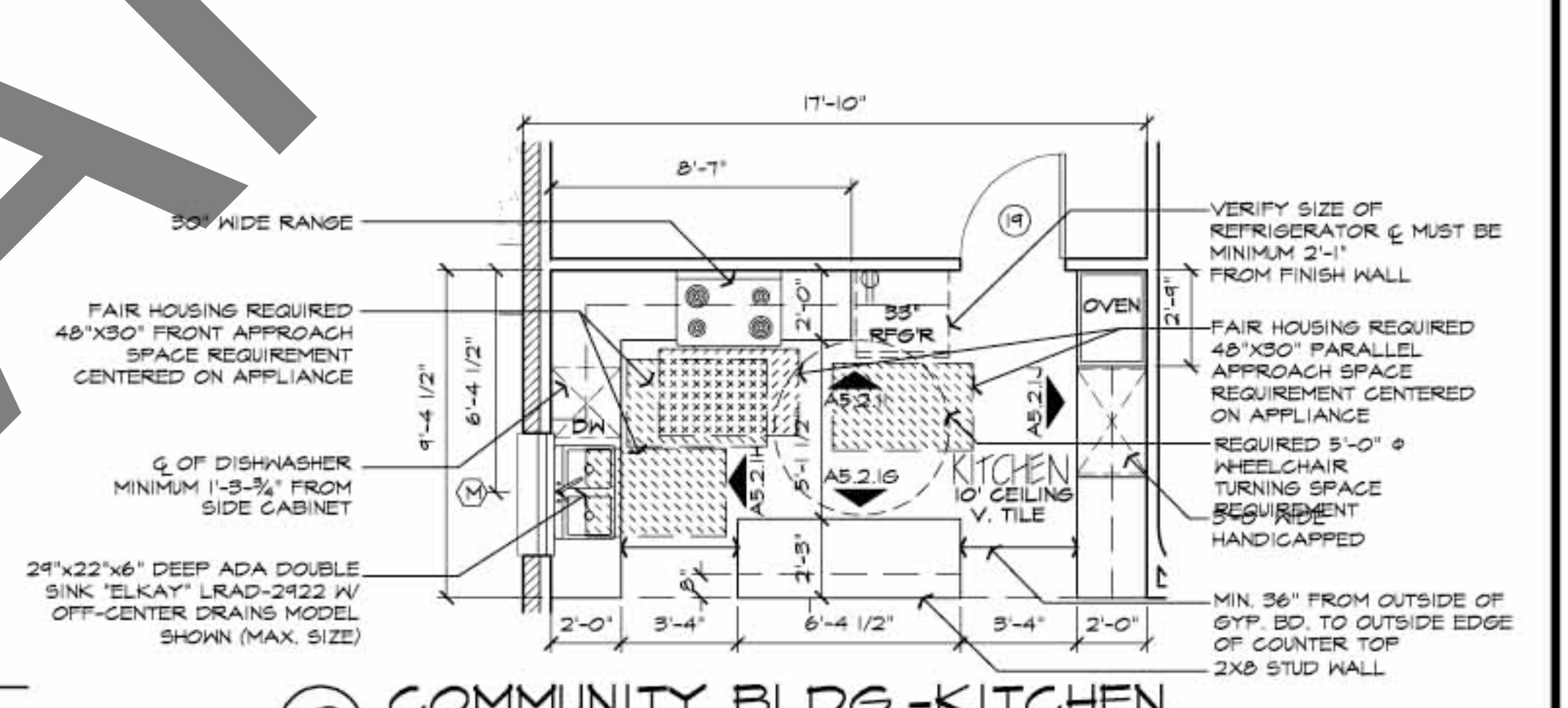
J KITCHEN
3/8' = 1" = 0'



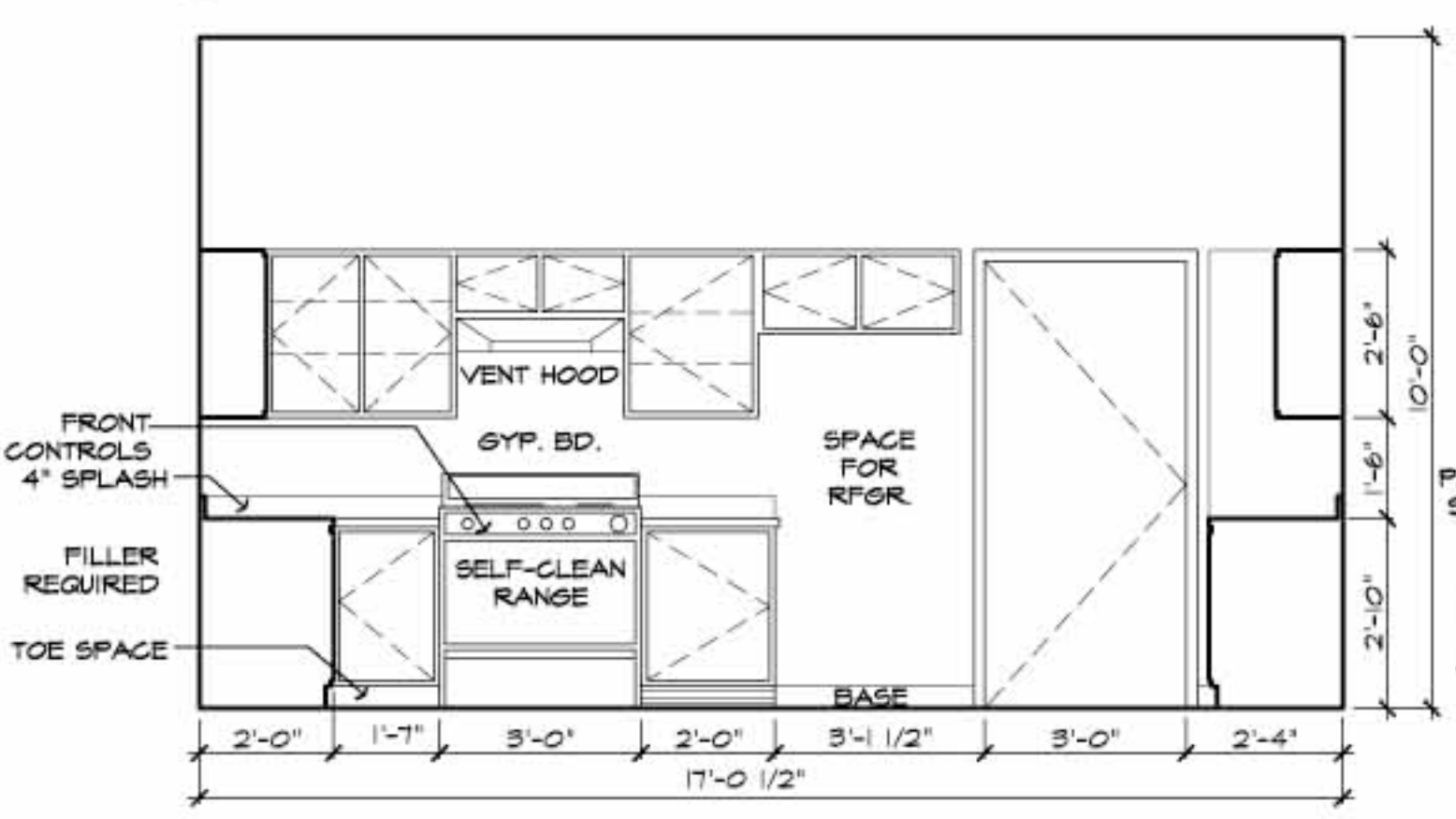
F BATHROOM
3/8' = 1" = 0'



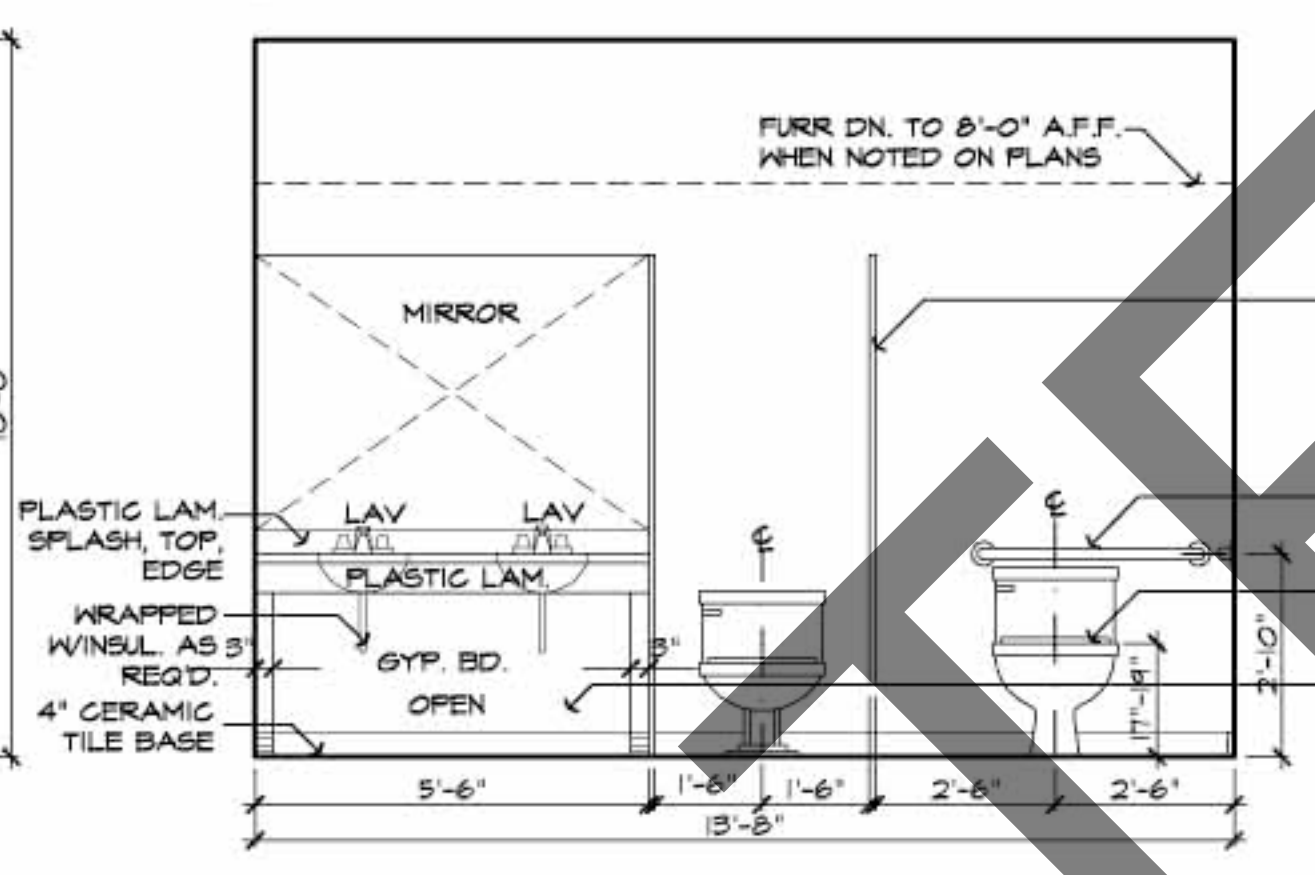
C BATHROOM
3/8' = 1" = 0'



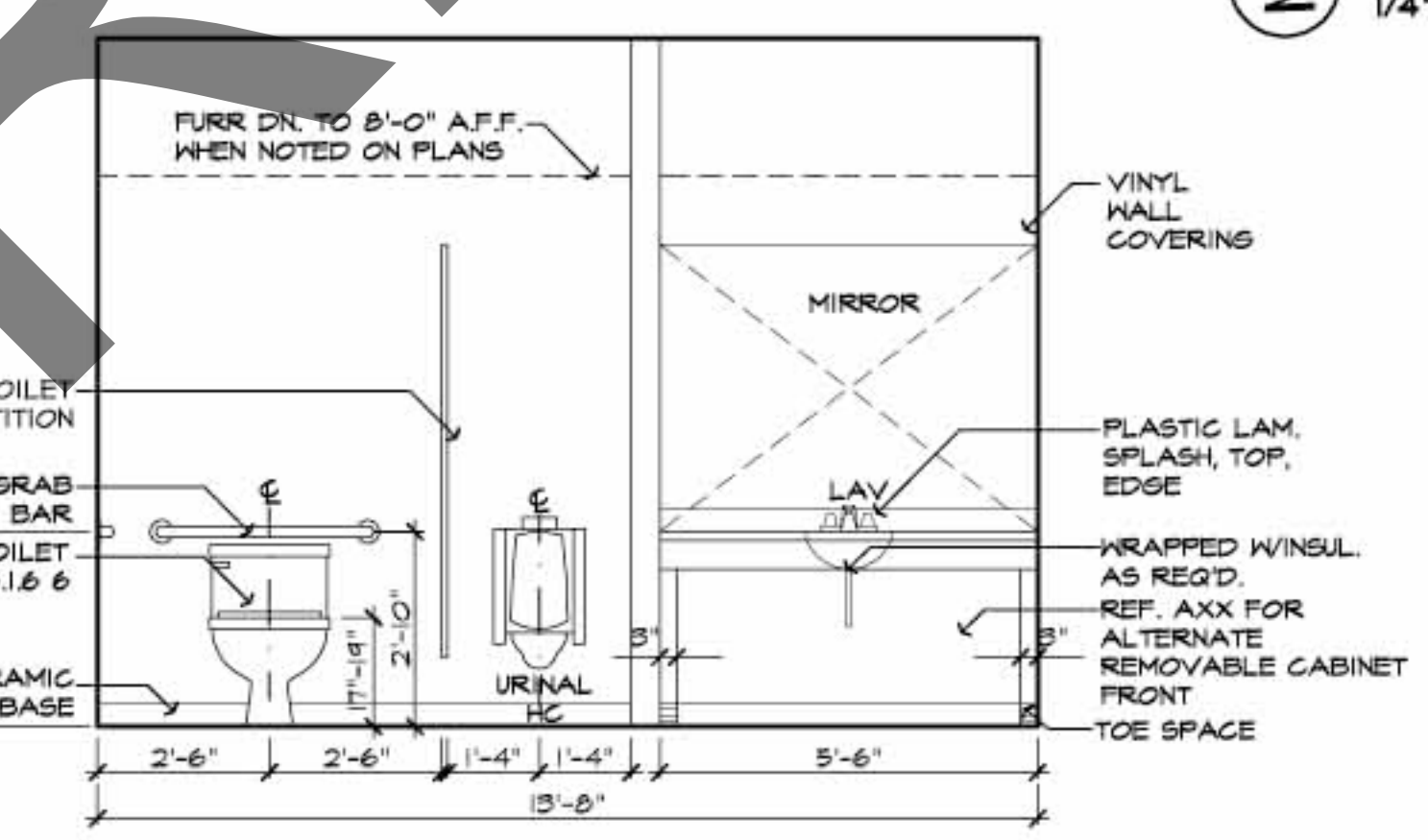
2 COMMUNITY BLDG.-KITCHEN
1/4' = 1" = 0'



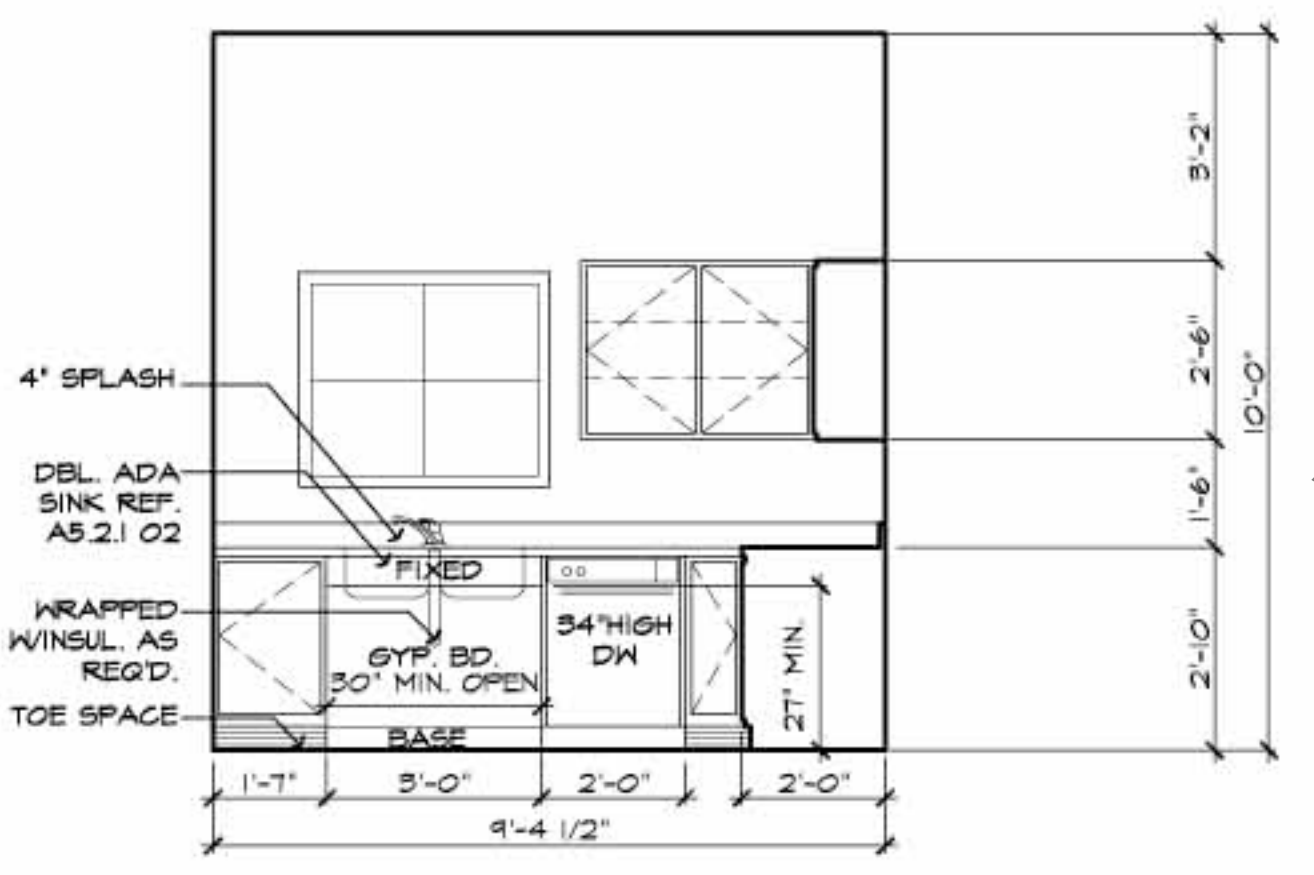
I KITCHEN
3/8' = 1" = 0'



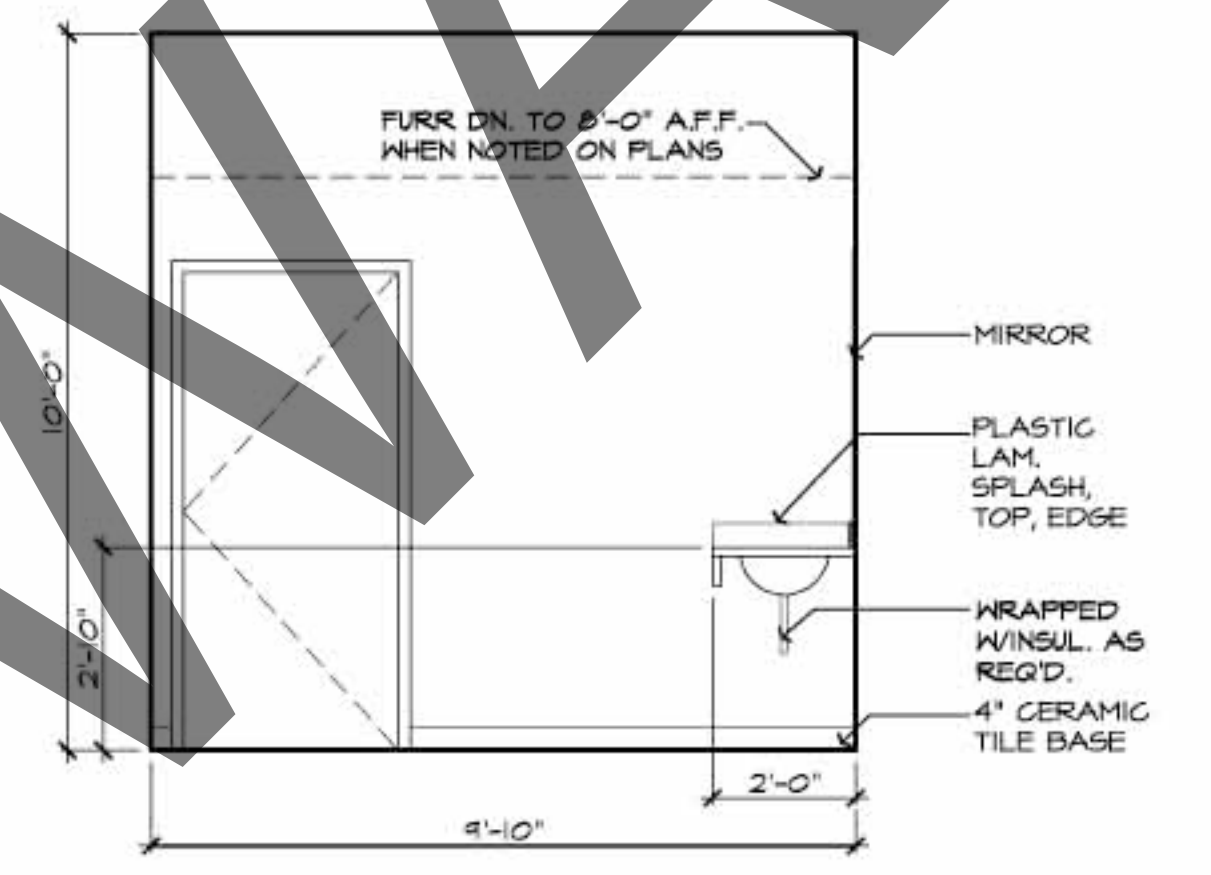
E BATHROOM
3/8' = 1" = 0'



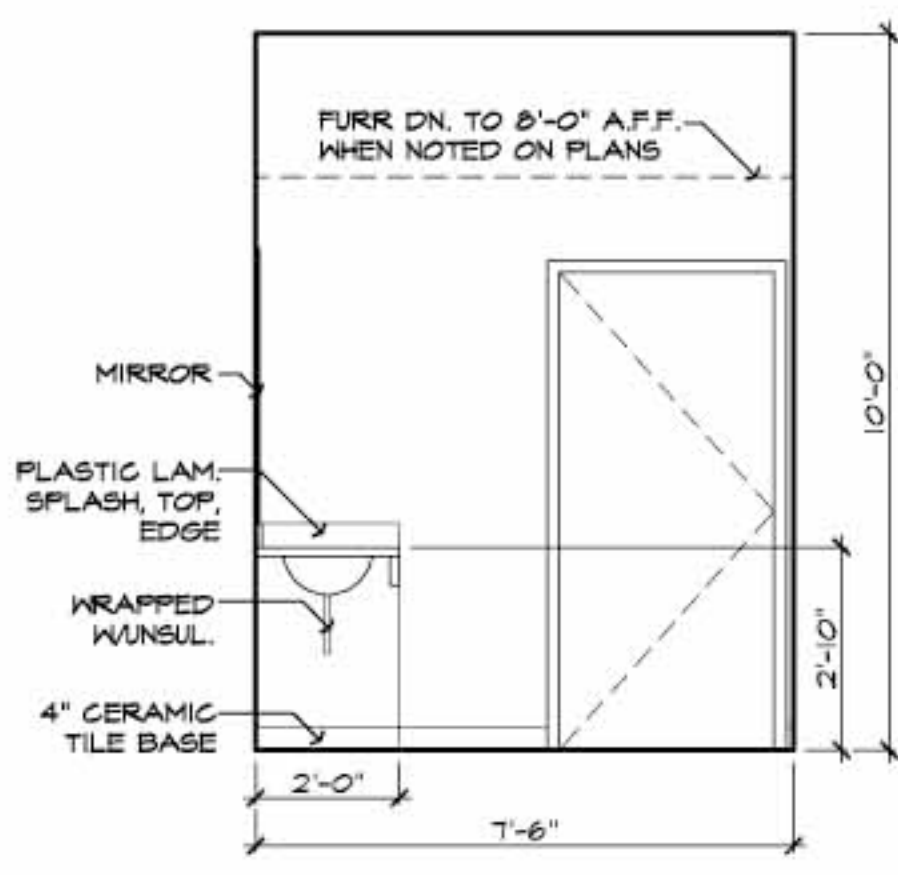
B BATHROOM
3/8' = 1" = 0'



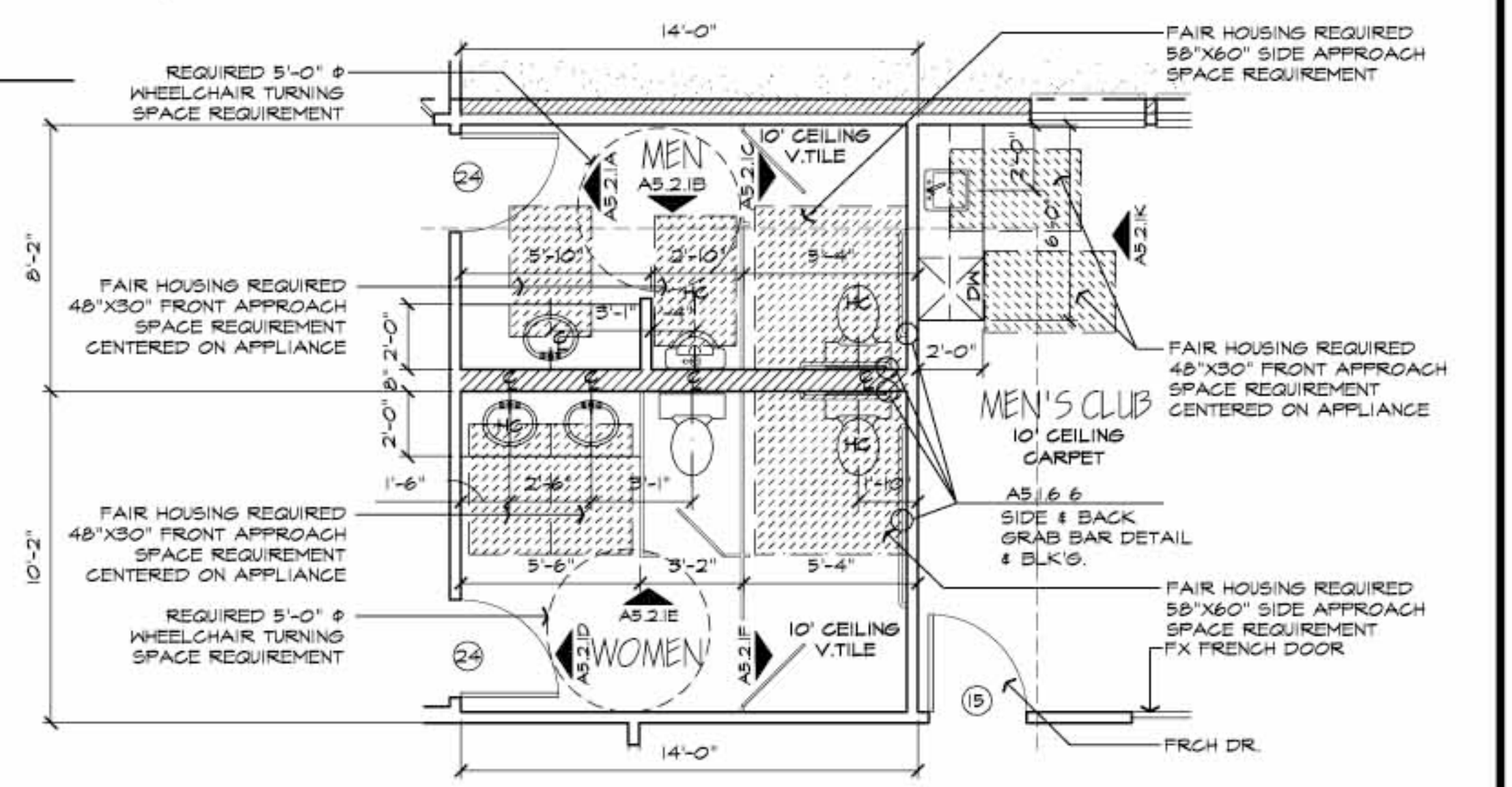
H KITCHEN
3/8' = 1" = 0'



D BATHROOM
3/8' = 1" = 0'



A BATHROOM
3/8' = 1" = 0'



1 COMMUNITY BLDG.-RESTROOMS
1/4' = 1" = 0'

3 INTERIOR ELEVATIONS
3/8' = 1" = 0'

FIELD VERIFY ALL DIMENSIONS PRIOR TO CABINET DESIGN