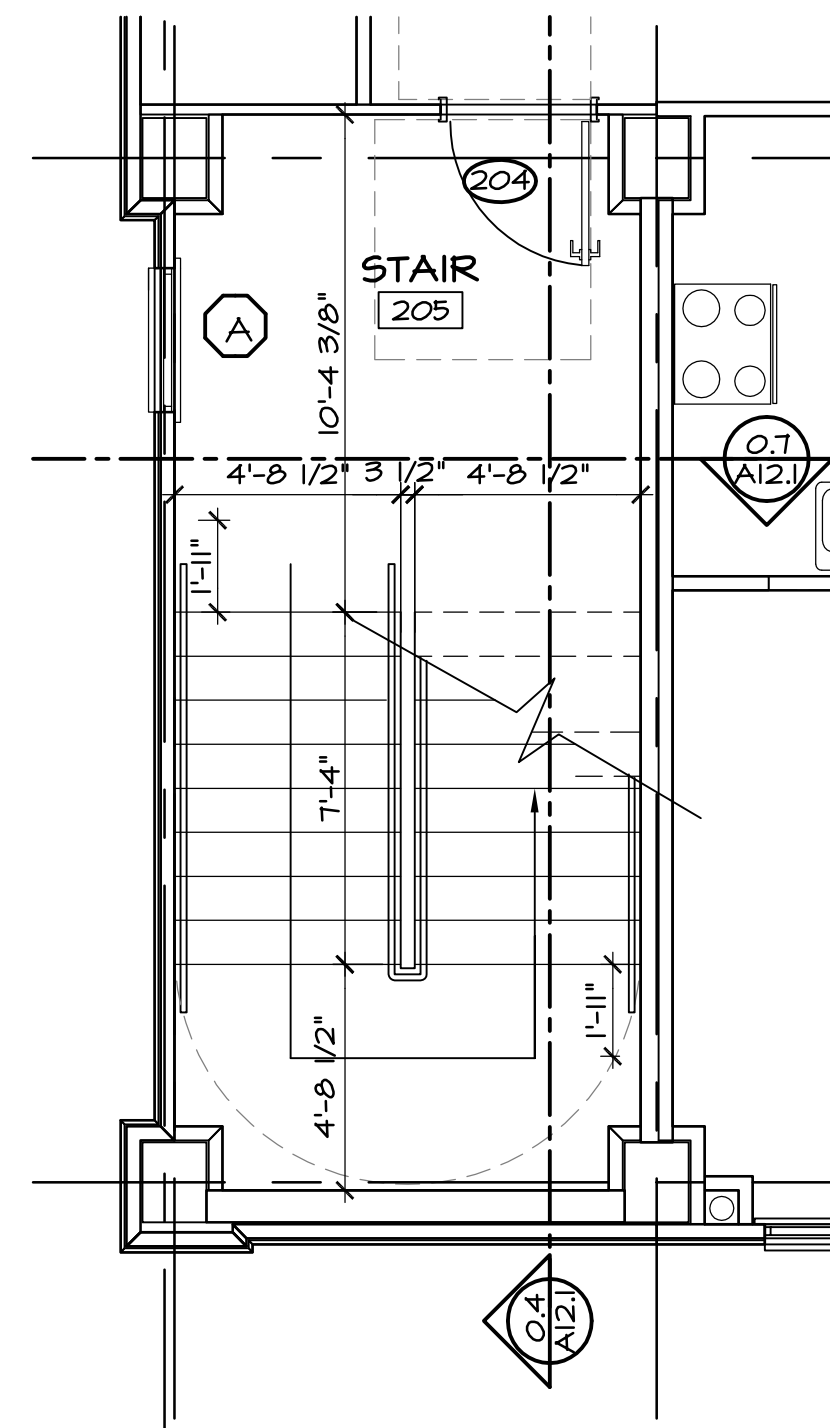
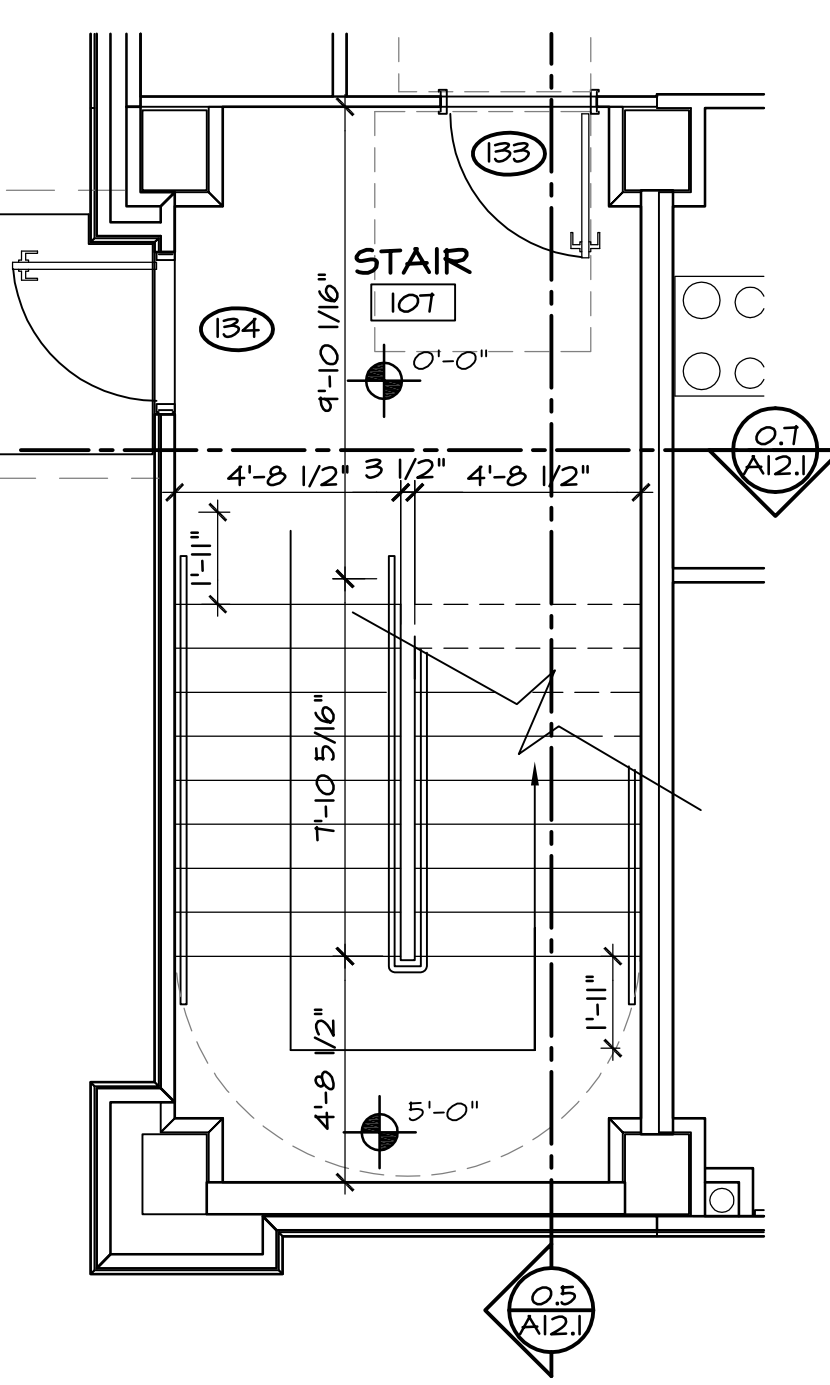


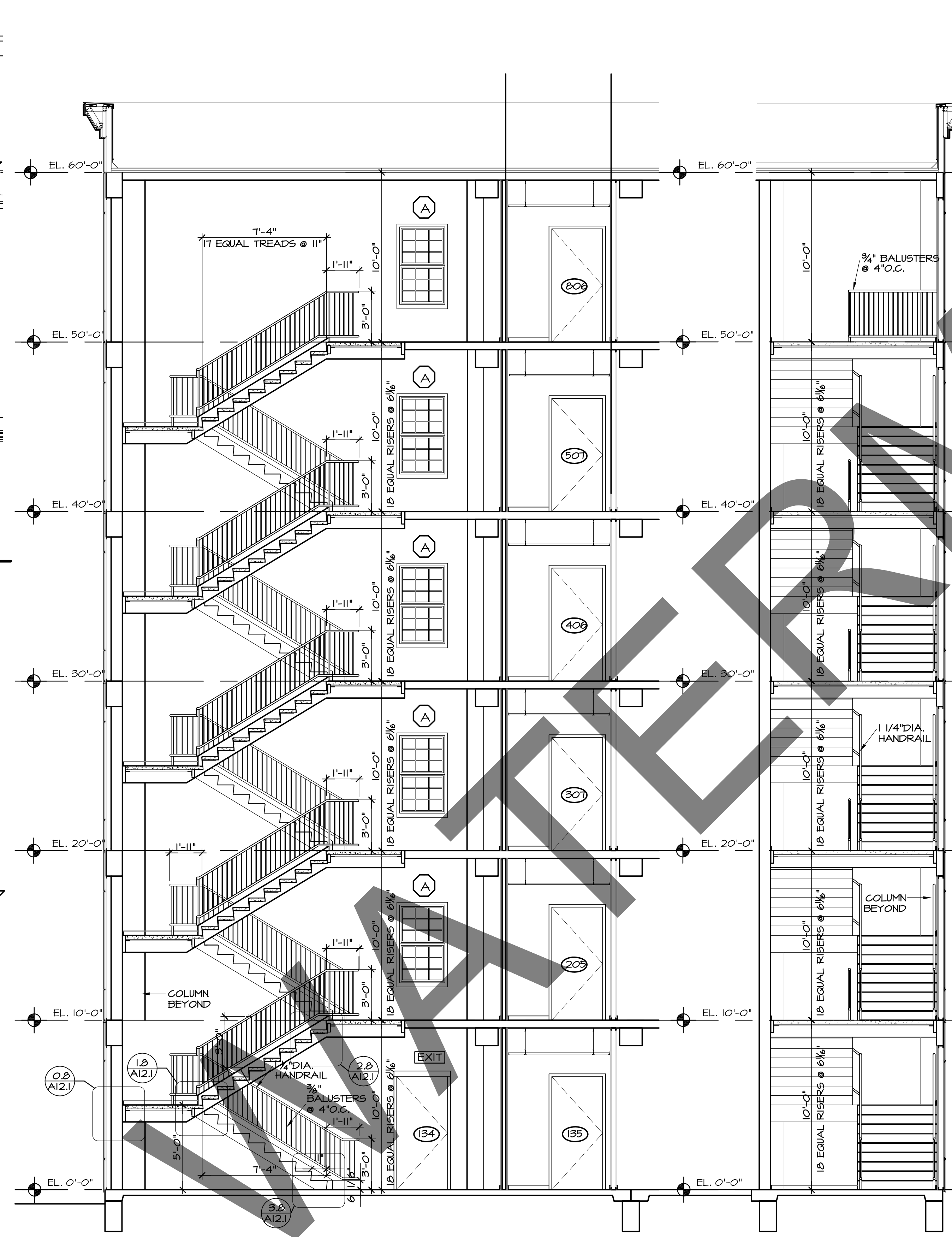
Jan 16, 2008 - 10:29pm
 C:\CADLab\568\sgb--reno--network\fromarchline\dwgs\011608\0624.A12.1.dwg



2.4 STAIR PLAN
 SCALE: 1/4" = 1'-0"

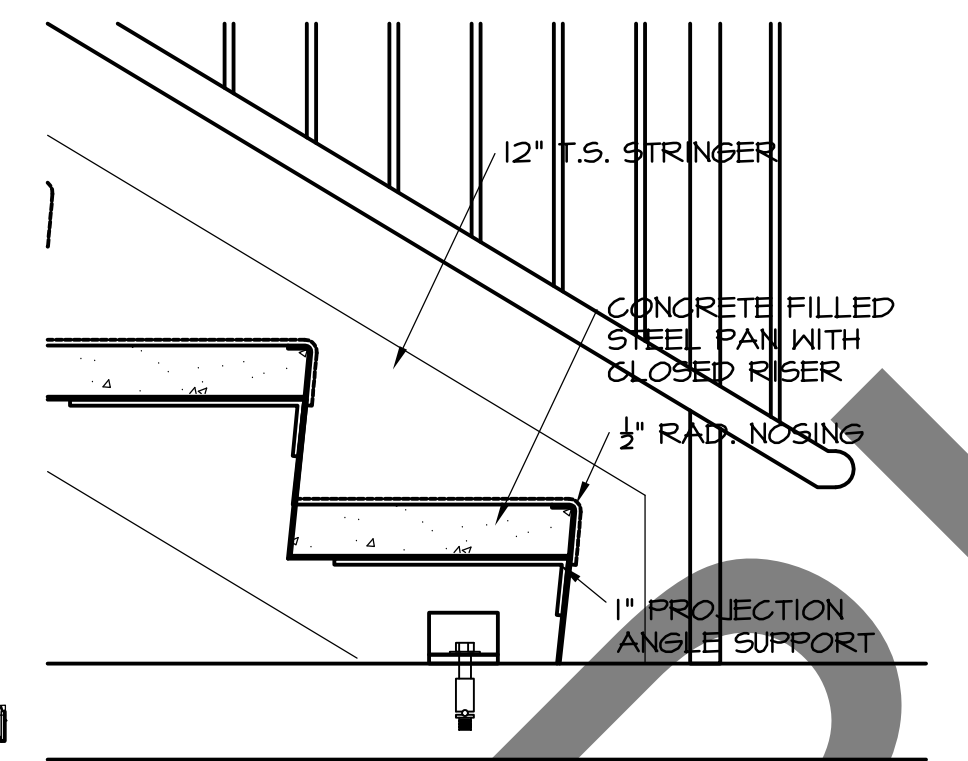


0.4 STAIR PLAN
 SCALE: 1/4" = 1'-0"

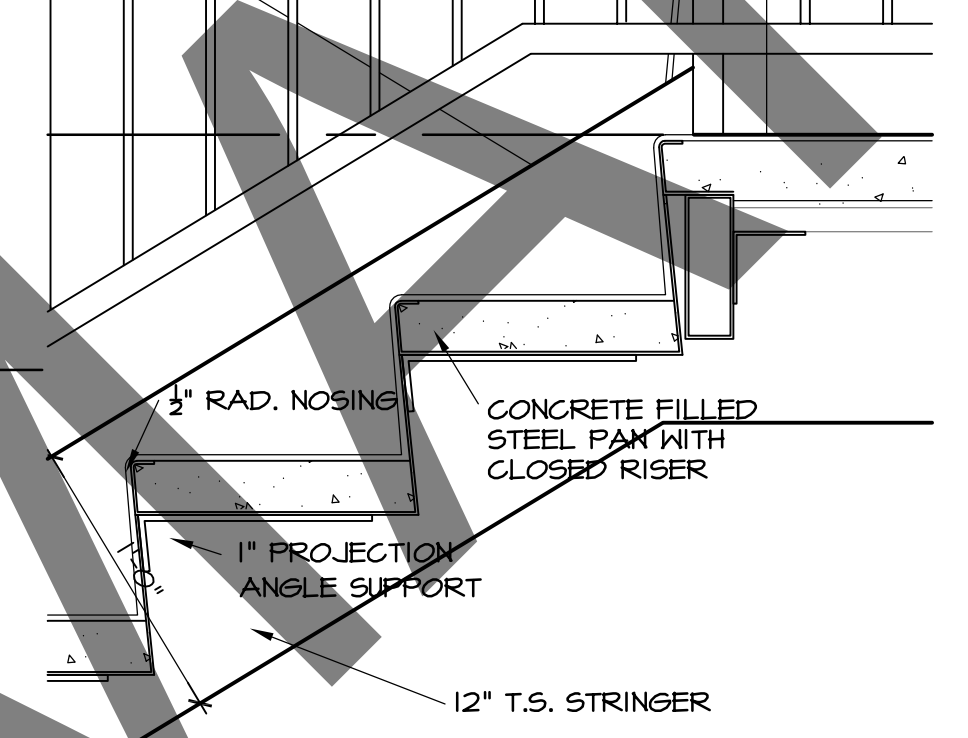


0.5 STAIR SECTION
 SCALE: 1/4" = 1'-0"

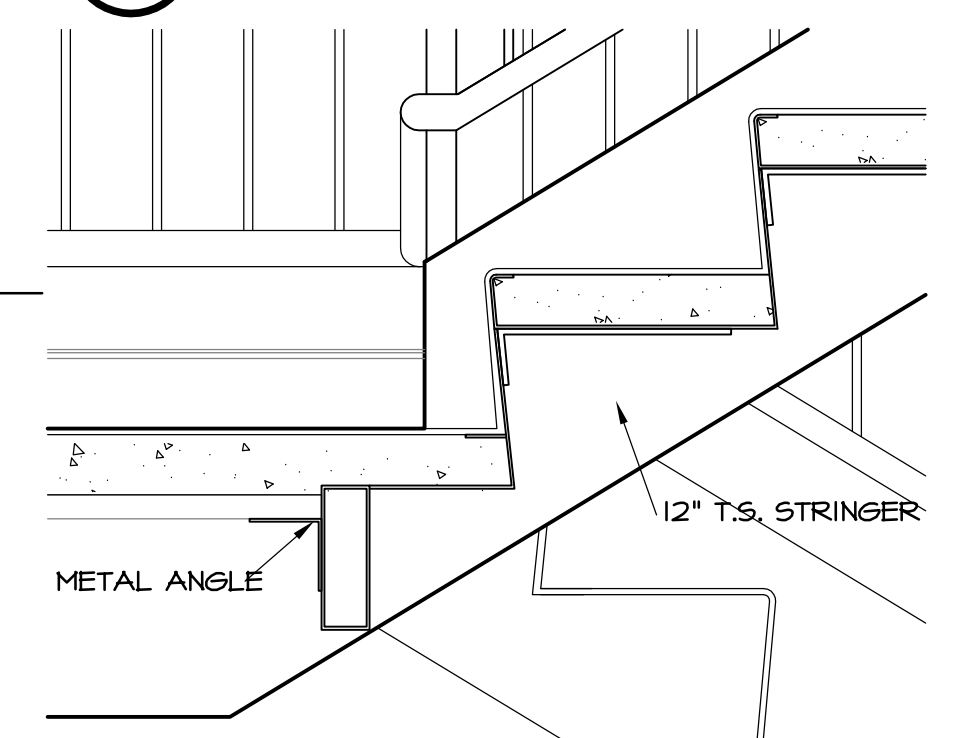
0.7 STAIR SECTION
 SCALE: 1/4" = 1'-0"



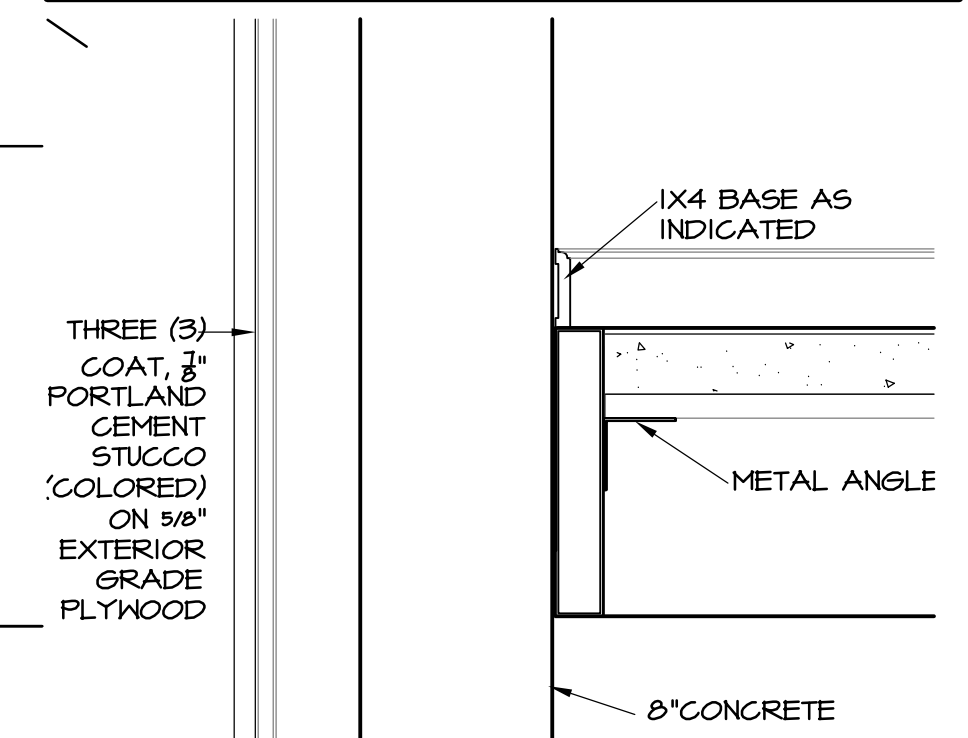
3.B STAIR DETAIL
 SCALE: 1 1/2" = 1'-0"



2.B STAIR DETAIL
 SCALE: 1 1/2" = 1'-0"



1.B STAIR DETAIL
 SCALE: 1 1/2" = 1'-0"



0.B STAIR DETAIL
 SCALE: 1 1/2" = 1'-0"

**RENO VOA ELDERLY HOUSING
 OF RENO, NEVADA
 HUD #125-EE129
 OF
 FORT WORTH, TX**



THIS DRAWING AND THE IDEAS AND DESIGN REPRESENTED HERE, ALL PREPARED BY SGB ARCHITECTS, L.L.P., ARE FOR THE USE SOLELY WITHIN THE PROJECT, AND SGB ARCHITECTS, L.L.P. SHALL RETAIN ALL COMMON LAW, STATUTORY AND OTHER RESERVED RIGHTS INCLUDING THE COPYRIGHT, AND THEY SHALL NOT BE USED BY OTHERS FOR ANY OTHER PURPOSE WITHOUT WRITTEN PERMISSION OF SGB ARCHITECTS, L.L.P.

	REVISIONS	DATE
	NO. DATE	PROJ. NO.
	SHEET	
A12.1		OF XA SHEETS